



1059, boulevard des Entreprises Ouest
 Terrebonne, QC Canada J6Y 1V2
 Tel 450-628-1006 1.800.783.6883
 Fax 450-628-7801 1.888.783.6883
 www.plasticase.com

955 PADDED DIVIDER

PROJECT

955_NANUK

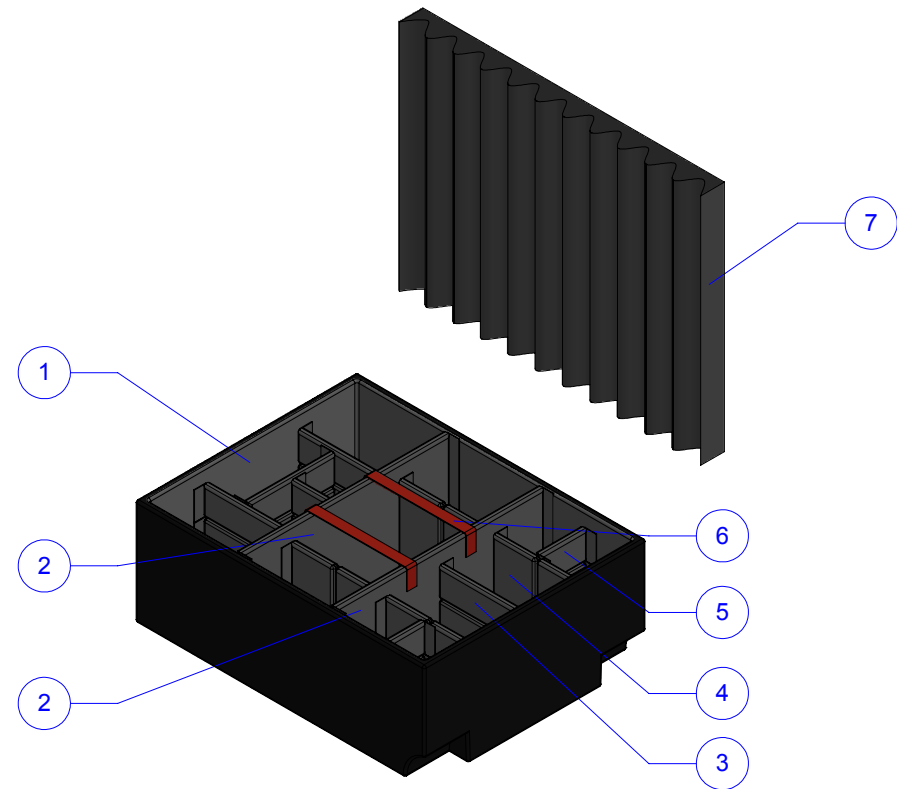
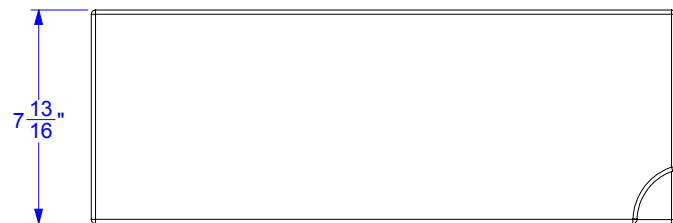
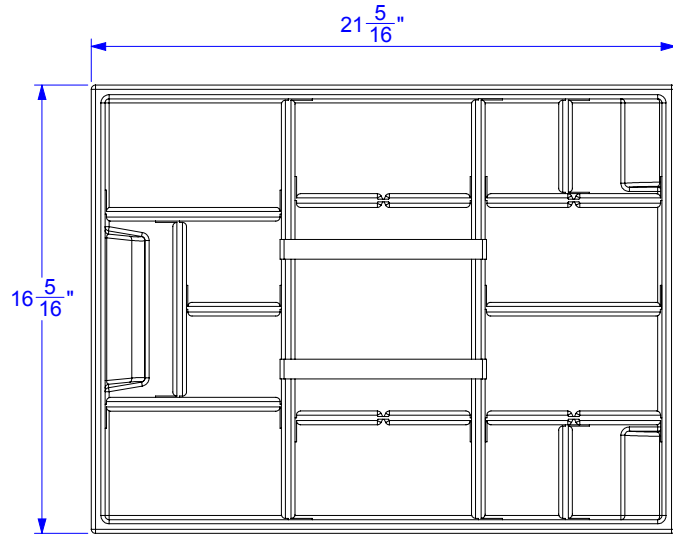
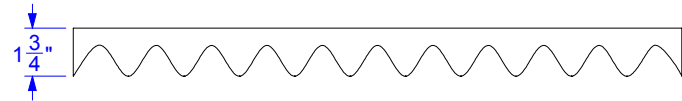
PRODUCT

955_PADDED DIVIDER_p.00

DWG ID

STATUS

ITEM NO.	DESCRIPTION	QTY.
1	955_PADDED DIVIDER CONTOUR	1
2	955_LONG DIVIDER 14.875" x 0.5" x 7"	2
3	955_MEDIUM DIVIDER_HORIZONTAL FOLD 5.875" x 0.5" x 6.375"	4
4	955_MEDIUM DIVIDER_VERTICAL FOLD 5.875" x 0.5" x 6.375"	4
5	955_SHORT DIVIDER_HORIZONTAL FOLD 3.125" x 0.5" x 6.375"	4
6	955_STRAP 10.25" x 1"	2
7	955_CONVOLATED FOAM	1



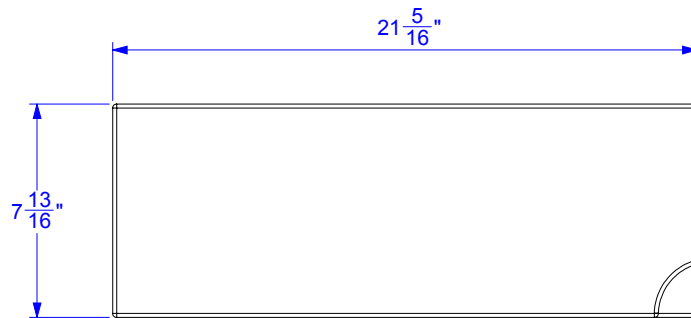
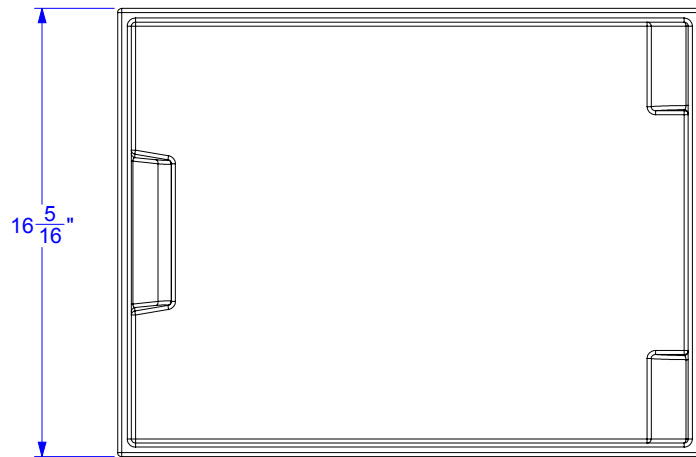
PROPRIETARY AND CONFIDENTIAL

THE INFORMATION CONTAINED IN THIS DRAWING IS THE SOLE & EXCLUSIVE PROPERTY OF PLASTICASE INC. ANY REPRODUCTION IN PART OR WHOLE WITHOUT THE WRITTEN PERMISSION OF PLASTICASE INC. IS PROHIBITED.

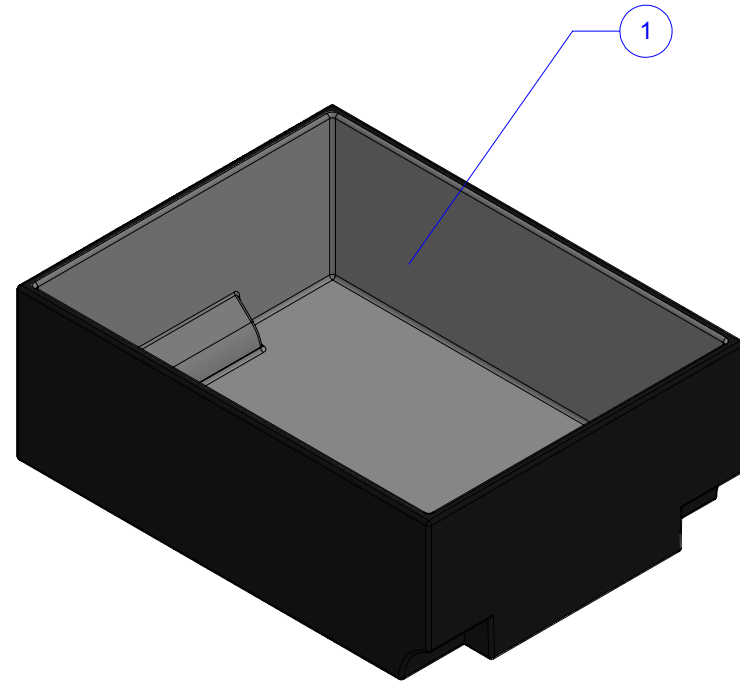
DO NOT SCALE DRAWING
 SHEET SCALE 1:7

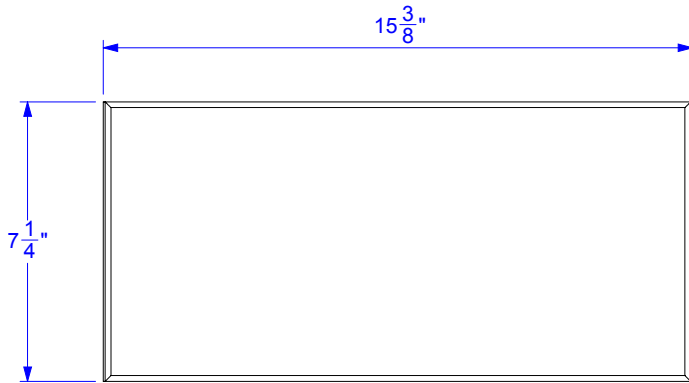
Sylvain Charria
 DESIGNER

25/09/2019
 DATE

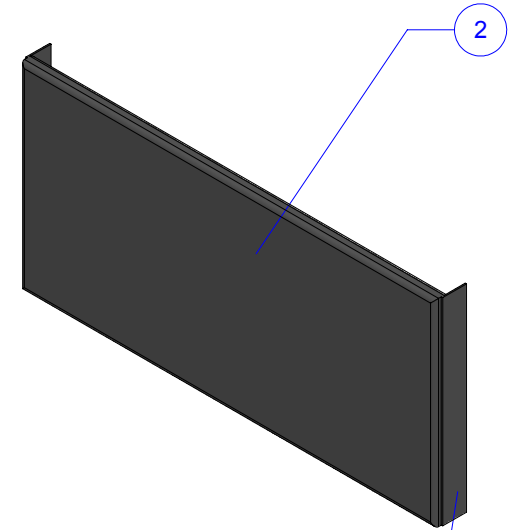


955_PADDED DIVIDER CONTOUR

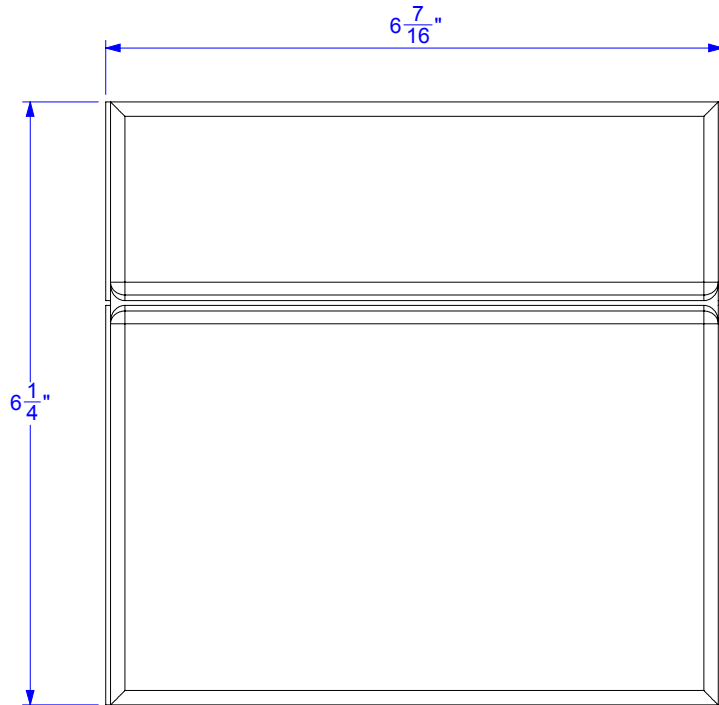
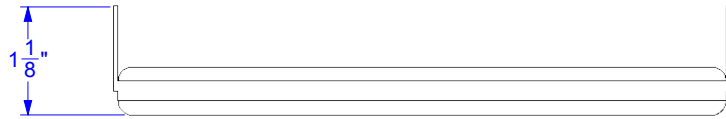




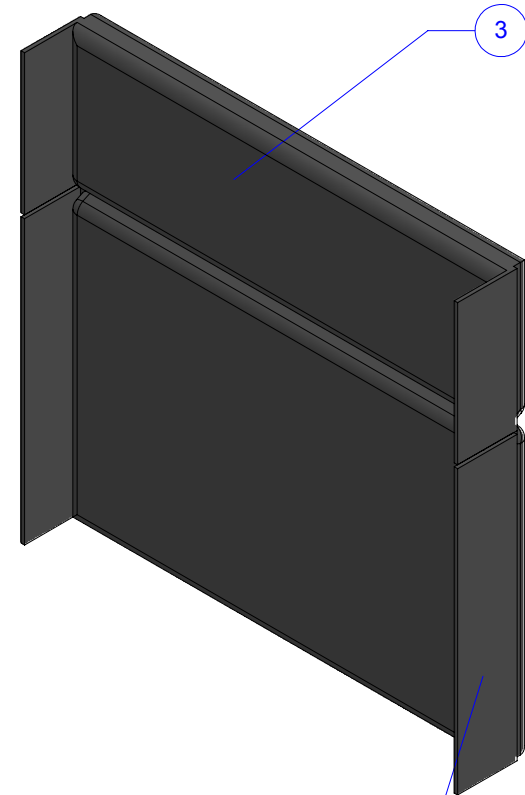
955_LONG DIVIDER 14.875" x 0.5" x 7"



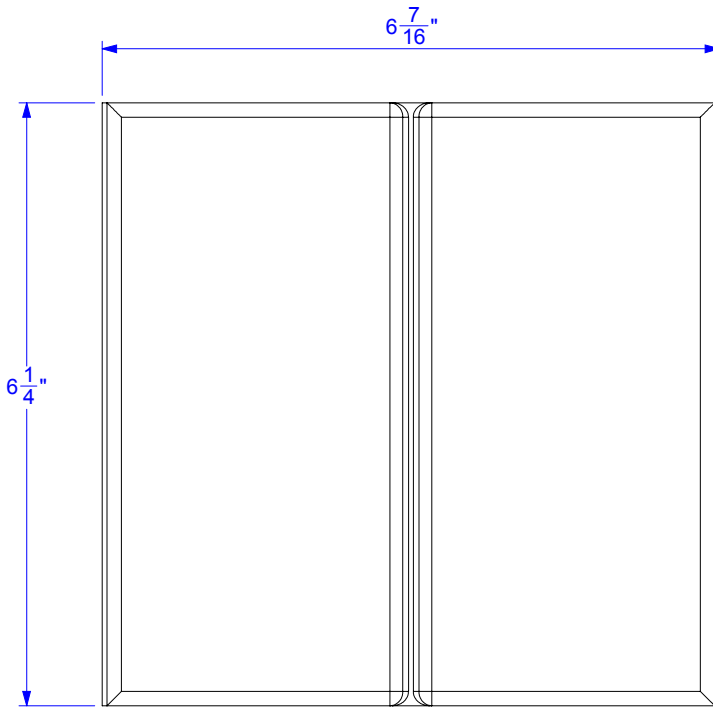
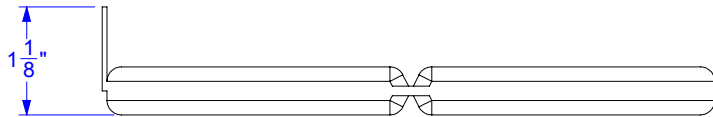
VELCRO ON ONE SIDES/
 VELCRO SUR UNE SURFACES



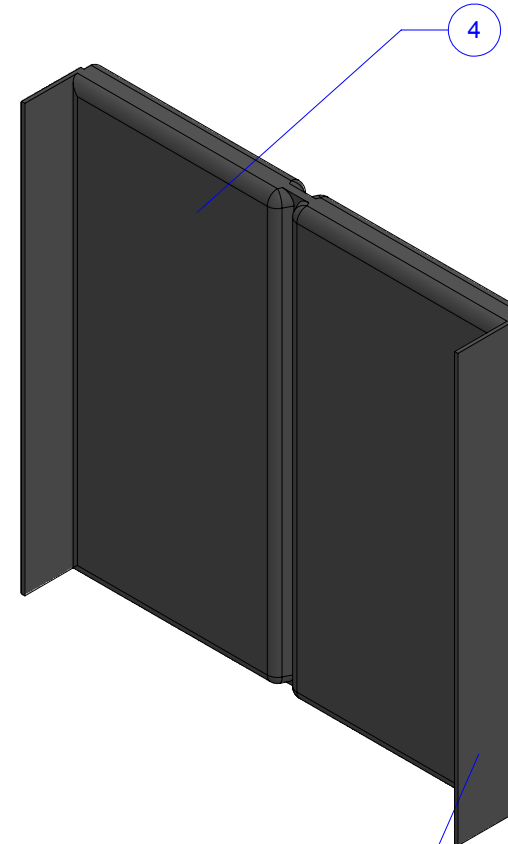
955_MEDIUM DIVIDER_HORIZONTAL FOLD 5.875" x 0.5" x 6.375"



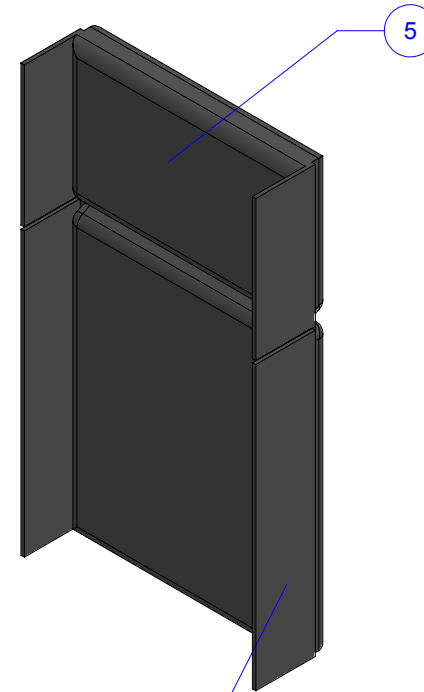
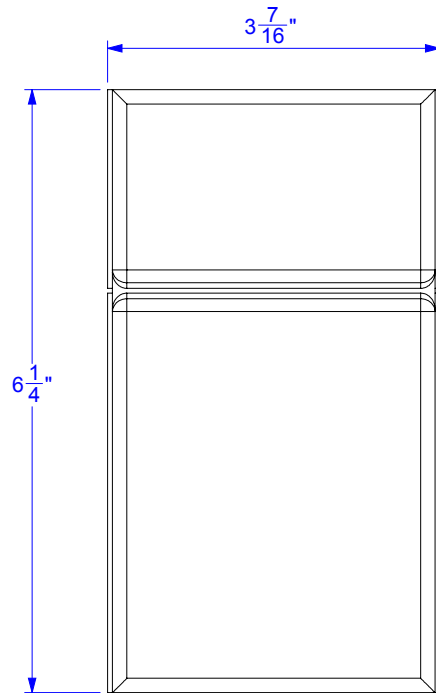
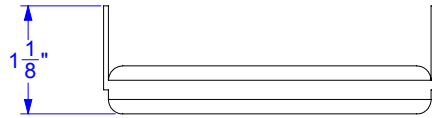
VELCRO ON ONE SIDES/
 VELCRO SUR UNE SURFACES



955_MEDIUM DIVIDER_VERTICAL FOLD 5.875" x 0.5" x 6.375"

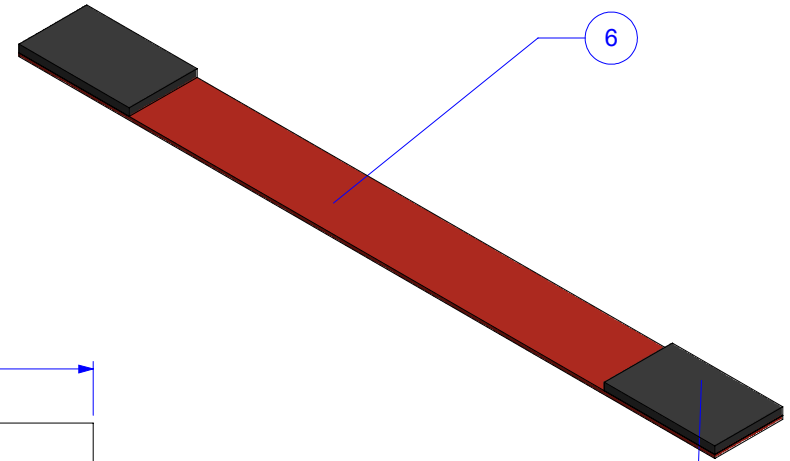
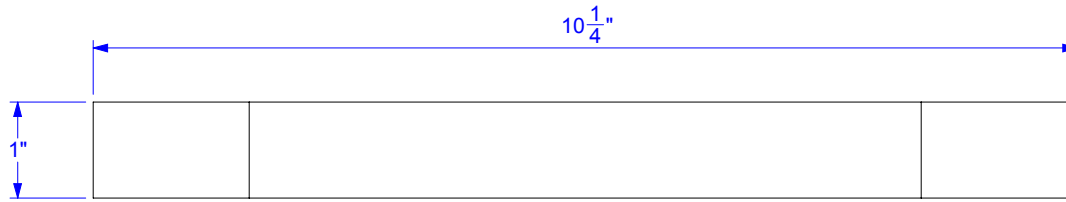


VELCRO ON ONE SIDES/
 VELCRO SUR UNE SURFACES



VELCRO ON ONE SIDES/
 VELCRO SUR UNE SURFACES

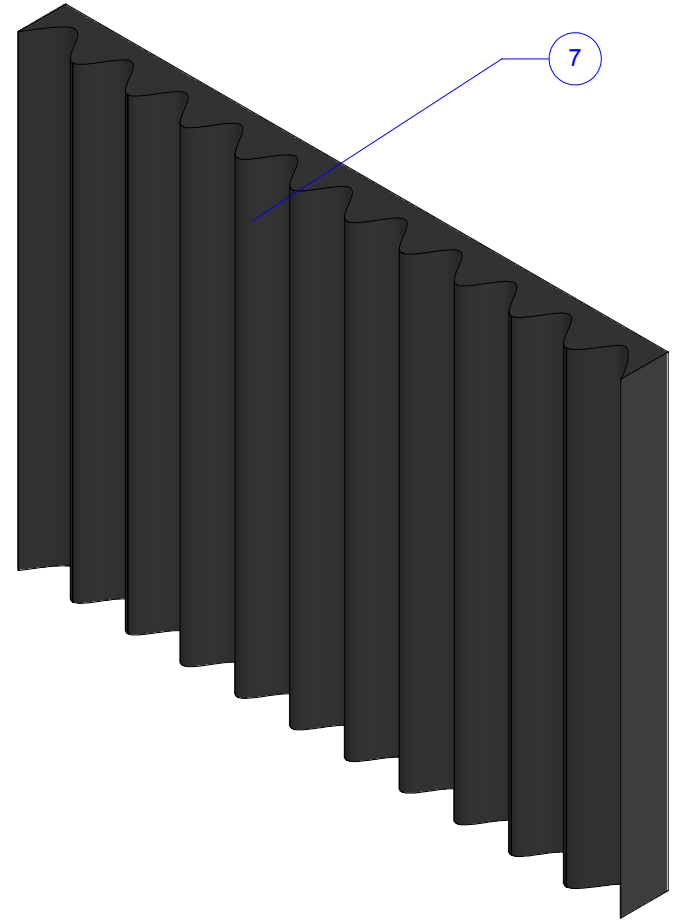
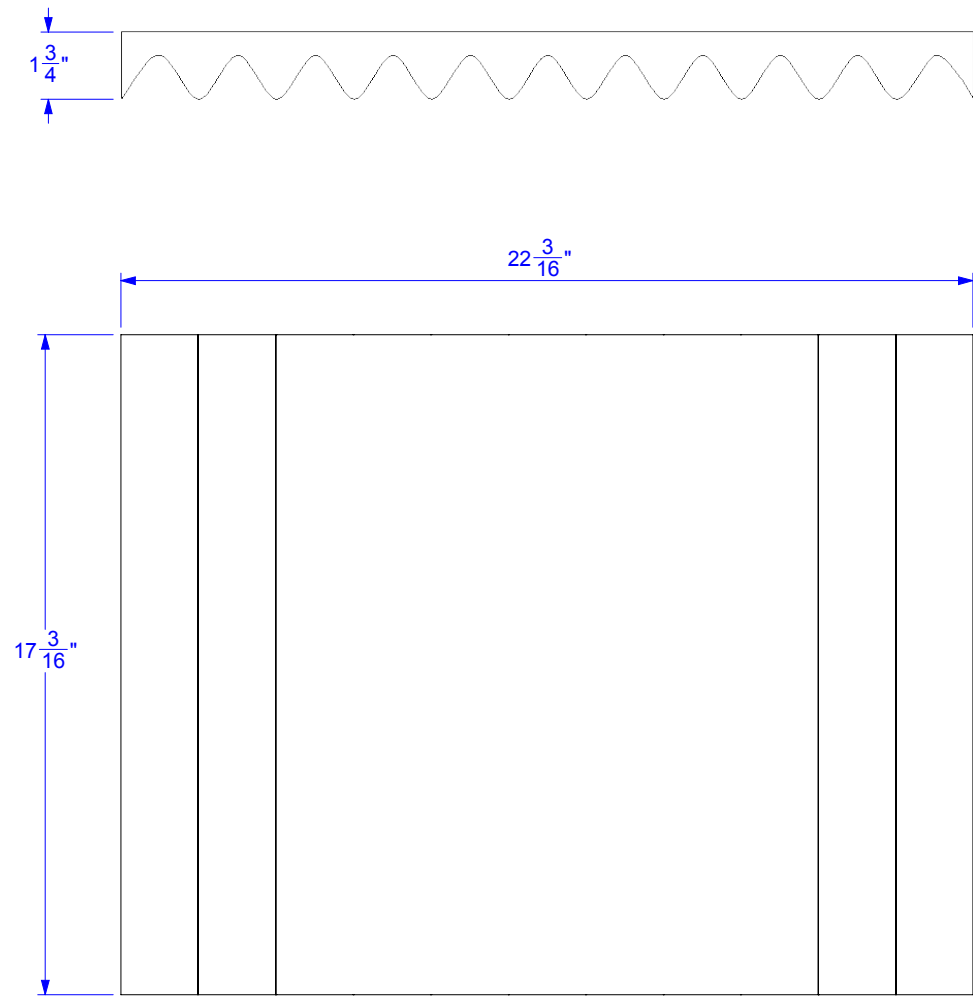
955_SHORT DIVIDER_HORIZONTAL FOLD 3.125" x 0.5" x 6.375"



VELCRO AT EACH ENDS/
 VELCRO SUR CHAQUE EXTRÉMITÉS



955_STRAP 10.25" x 1"



955_CONVOLATED FOAM

PUF P150-55 BLK	1
MATERIAL	QTY