



1059, boulevard des Entreprises Ouest
 Terrebonne, QC Canada J6Y 1V2
 Tel 450-628-1006 1.800.783.6883
 Fax 450-628-7801 1.888.783.6883
 www.plasticase.com

CUBED FOAM INSERT 955_NANUK

PROJECT

PRODUCT

00955_NANUK_p.00

DWG ID

STATUS

YOUR SIGNATURE IS REQUIRED FOR APPROVAL BEFORE ANY RELEASE OF PRODUCTION DRAWINGS

TOLERANCES

CUTOUTS +/- 1/16

OVERALL FOAM THICKNESS & CAVITY DEPTHS +/- 1/8

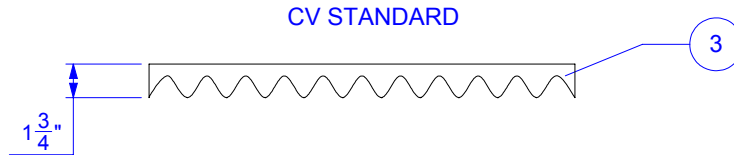
SIGNATURE

DATE

GLUED TO CASE TOP BASE VELCRO EXTRA

REVISIONS			
REV.	DESCRIPTION	DATE	INIT

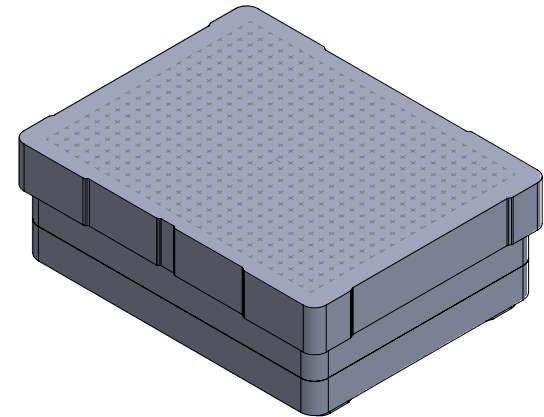
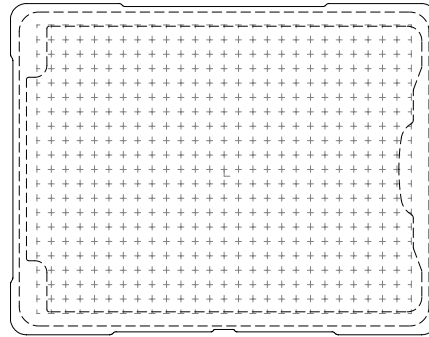
LID TRAY - ELEVATION



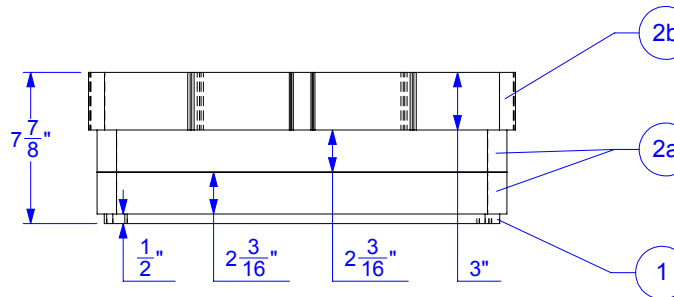
CV STANDARD

UTILISER ITEM
631-9603

BASE TRAY



BASE TRAY - ELEVATION



UTILISER ITEM
631-9602A

UTILISER ITEM
631-9602A



!! LOOSE !!

PROPRIETARY AND CONFIDENTIAL

THE INFORMATION CONTAINED IN THIS DRAWING IS THE SOLE & EXCLUSIVE PROPERTY OF PLASTICASE INC. ANY REPRODUCTION IN PART OR WHOLE WITHOUT THE WRITTEN PERMISSION OF PLASTICASE INC. IS PROHIBITED.

DO NOT SCALE DRAWING
SHEET SCALE 1:10

REPRESENTATIVE

Karen Dupuis
DESIGNER

16/09/2019
DATE

FOAM DENSITY MAY VARY. DIMENSIONS ARE IN INCHES UNLESS OTHERWISE SPECIFIED

YOUR SIGNATURE IS REQUIRED FOR APPROVAL BEFORE ANY RELEASE OF PRODUCTION DRAWINGS

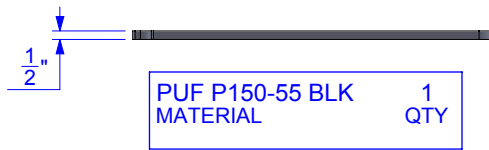
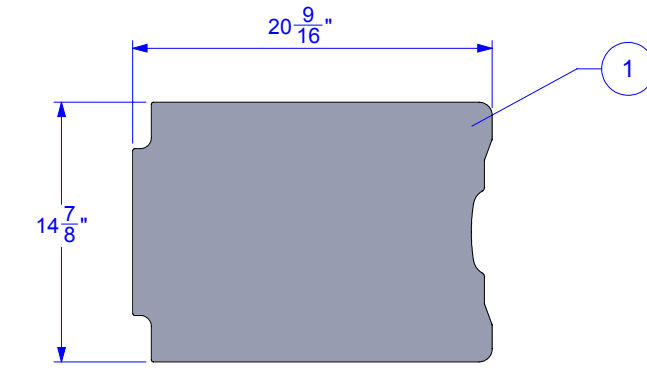
TOLERANCES

CUTOUTS +/- 1/16

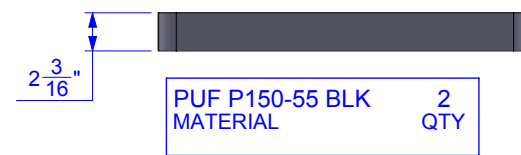
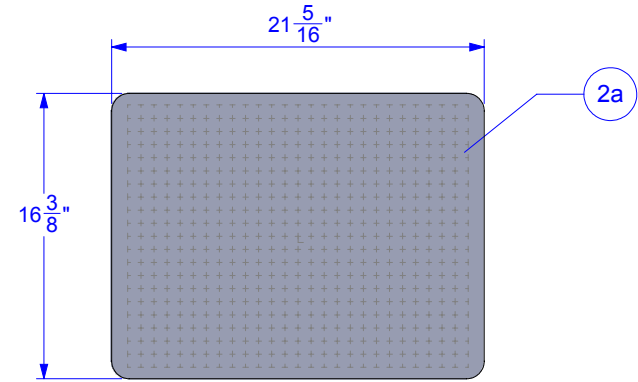
OVERALL FOAM THICKNESS & CAVITY DEPTHS +/- 1/8

SIGNATURE

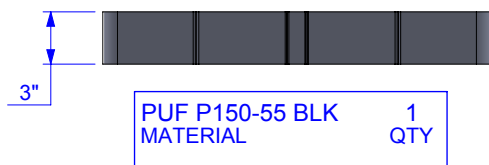
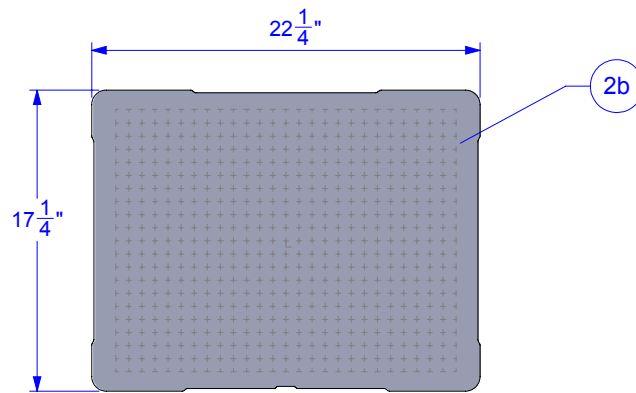
DATE



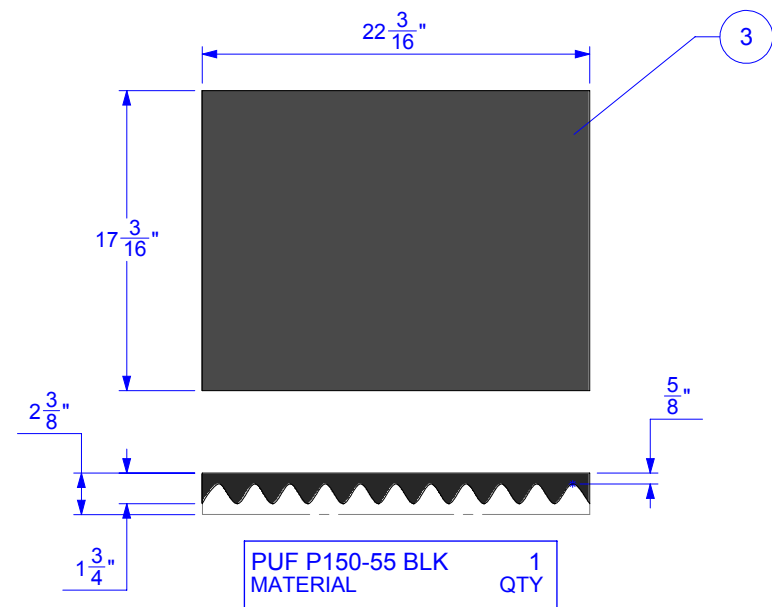
PUF P150-55 BLK MATERIAL 1 QTY



PUF P150-55 BLK MATERIAL 2 QTY



PUF P150-55 BLK MATERIAL 1 QTY



PUF P150-55 BLK MATERIAL 1 QTY

FOAM DENSITY MAY VARY. DIMENSIONS ARE IN INCHES UNLESS OTHERWISE SPECIFIED