



1059, boulevard des Entreprises Ouest
 Terrebonne, QC Canada J6Y 1V2
 Tel 450-628-1006 1.800.783.6883
 Fax 450-628-7801 1.888.783.6883
 www.plasticase.com

938 PADDE DIVIDER

PROJECT

938_NANUK

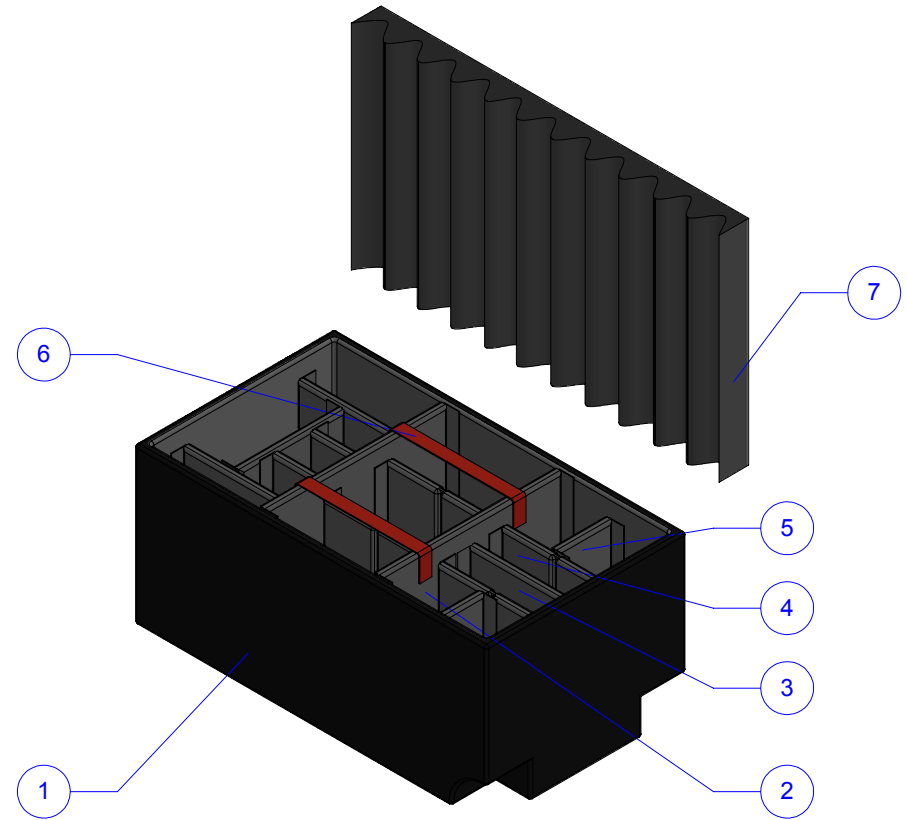
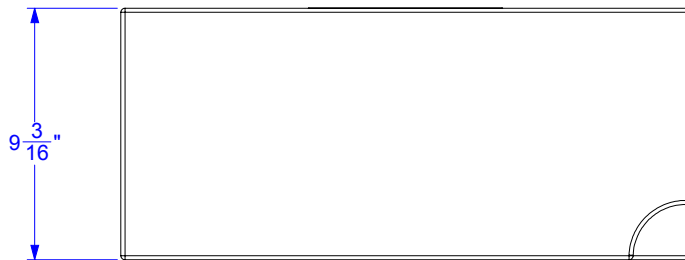
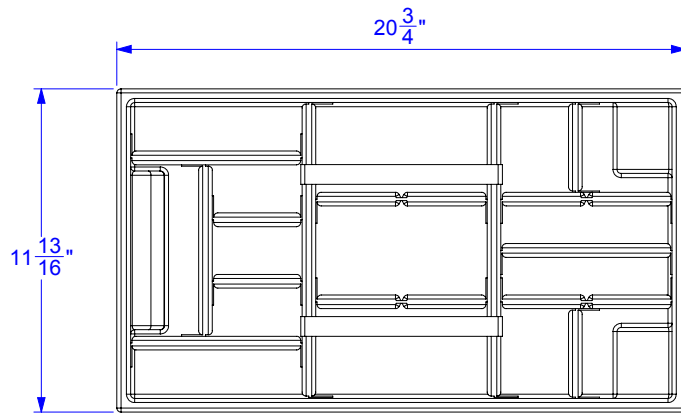
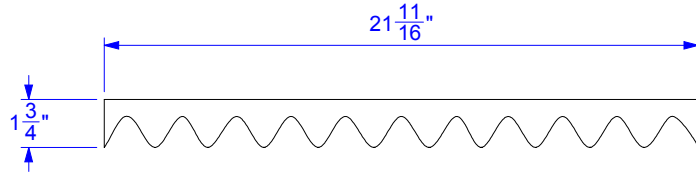
PRODUCT

938_PADDED DIVIDER

DWG ID

STATUS

ITEM NO.	DESCRIPTION	QTY.
1	938_PADDED DIVIDER CONTOUR	1
2	938_LONG DIVIDER 10.75" x 0.5" x 8.625"	2
3	938_MEDIUM DIVIDER_HORIZONTAL FOLD 6.25" x 1.125" x 7.625"	4
4	938_MEDIUM DIVIDER_VERTICAL FOLD 6.25" x 1.125" x 7.625"	4
5	938_SHORT DIVIDER_HORIZONTAL FOLD 3.25" x 1.125" x 7.625"	4
6	938_STRAP 10" x 1"	2
7	938_CONVOLATED FOAM	1



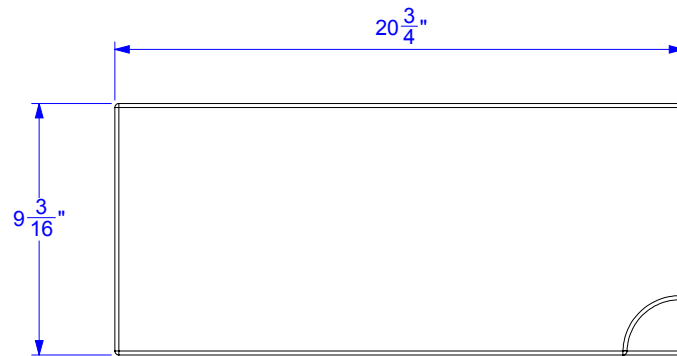
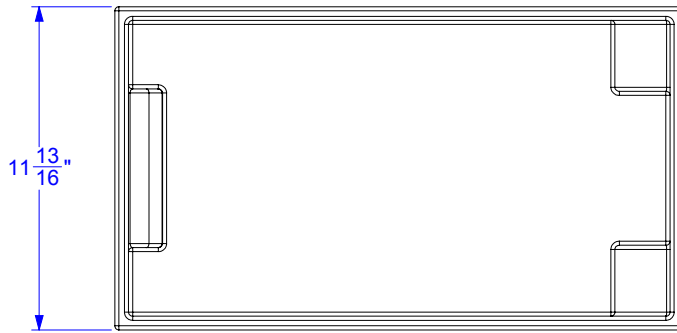
PROPRIETARY AND CONFIDENTIAL

THE INFORMATION CONTAINED IN THIS DRAWING IS THE SOLE & EXCLUSIVE PROPERTY OF PLASTICASE INC. ANY REPRODUCTION IN PART OR WHOLE WITHOUT THE WRITTEN PERMISSION OF PLASTICASE INC. IS PROHIBITED.

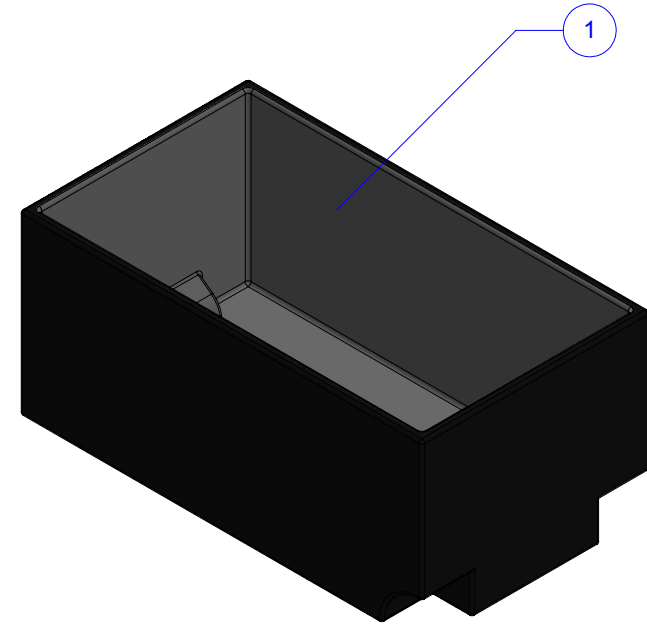
DO NOT SCALE DRAWING
 SHEET SCALE 1:7

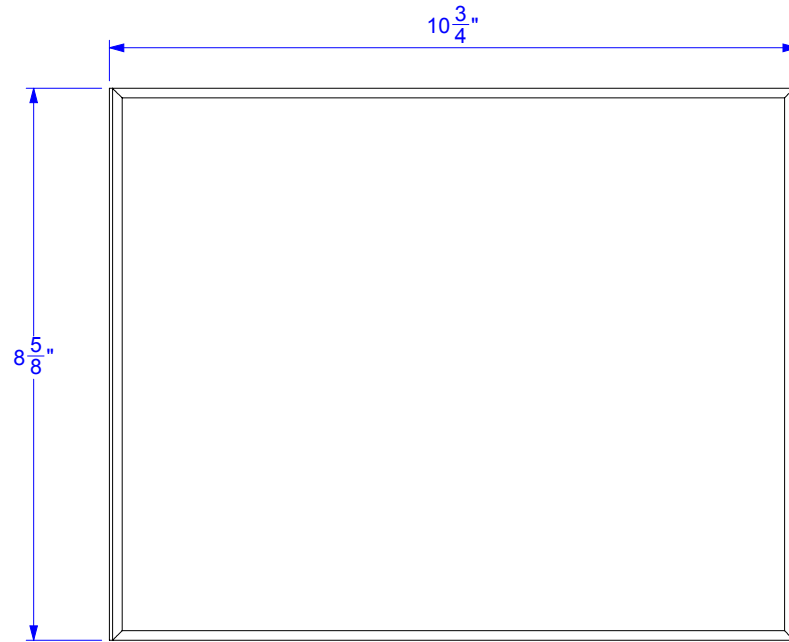
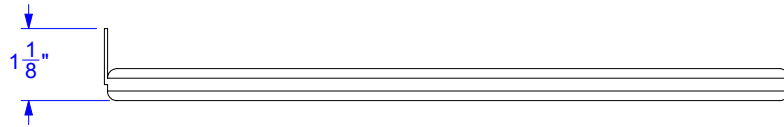
Sylvain Charria
 DESIGNER

25/09/2019
 DATE

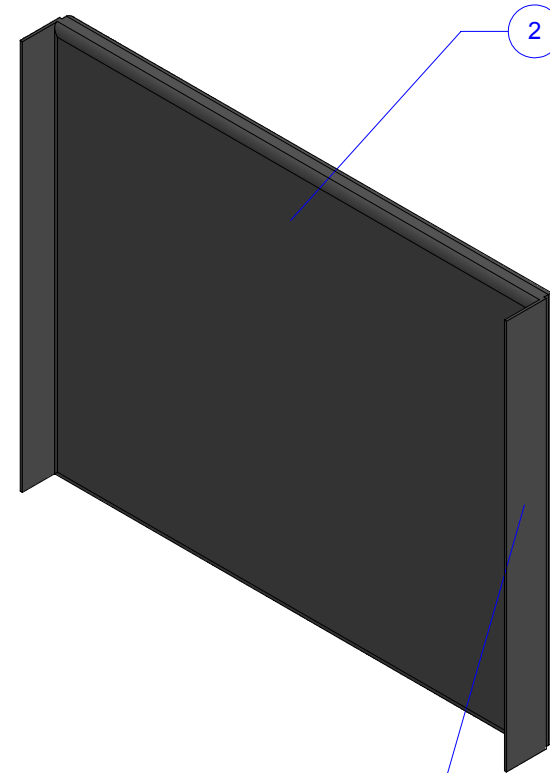


938_PADDDED DIVIDER CONTOUR

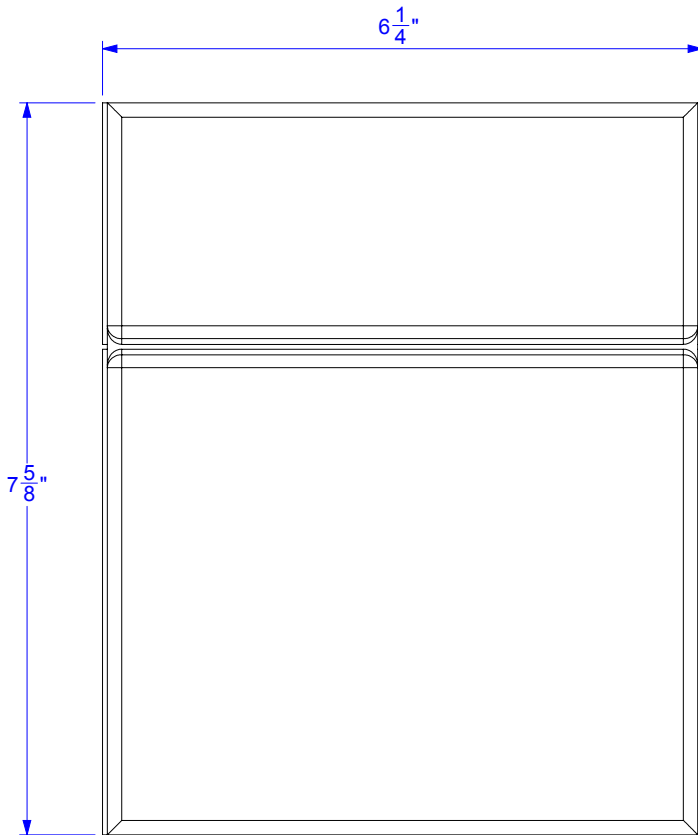
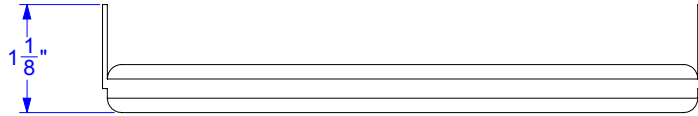




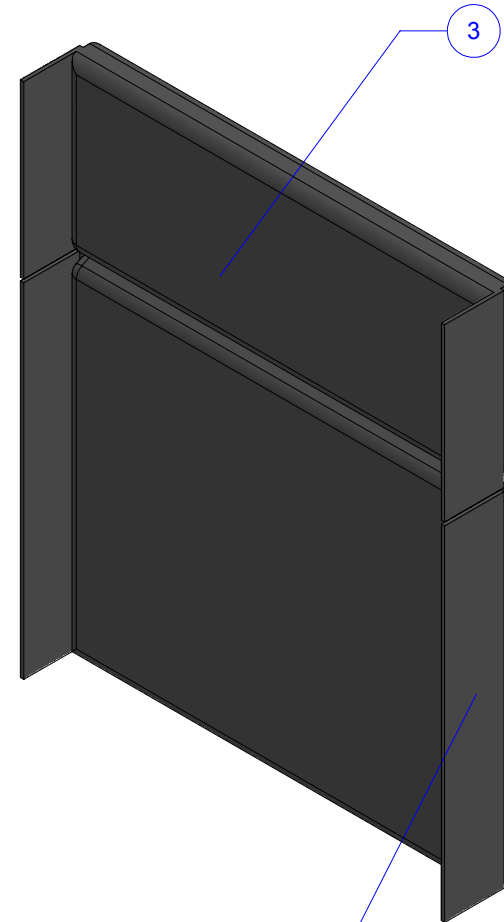
938_LONG DIVIDER 10.75" x 0.5" x 8.625"



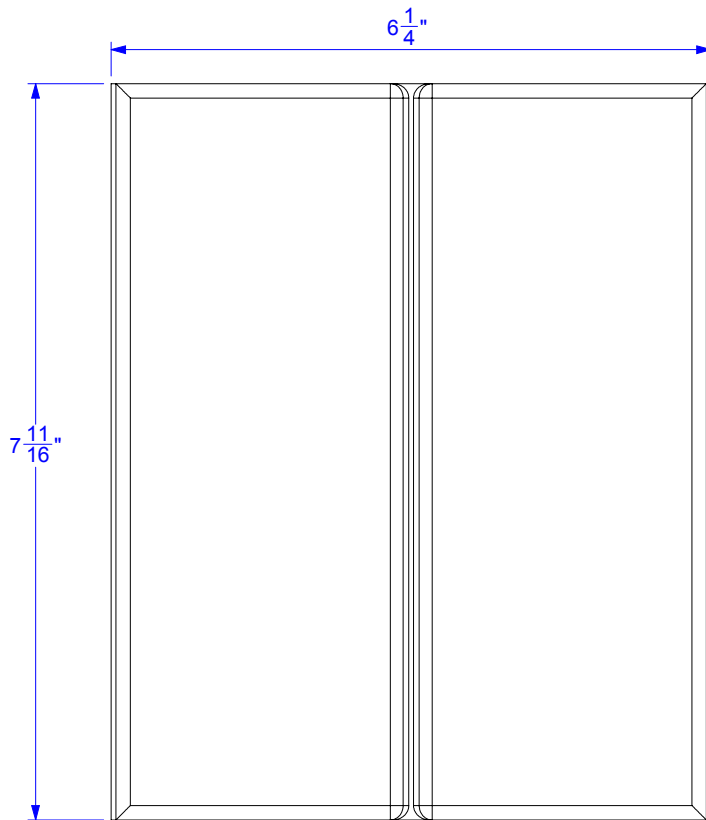
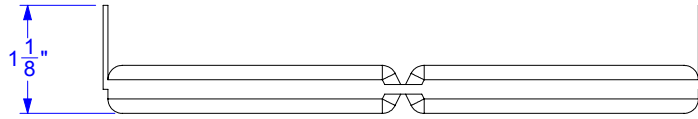
VELCRO ON ONE SIDES/
VELCRO SUR UNE SURFACES



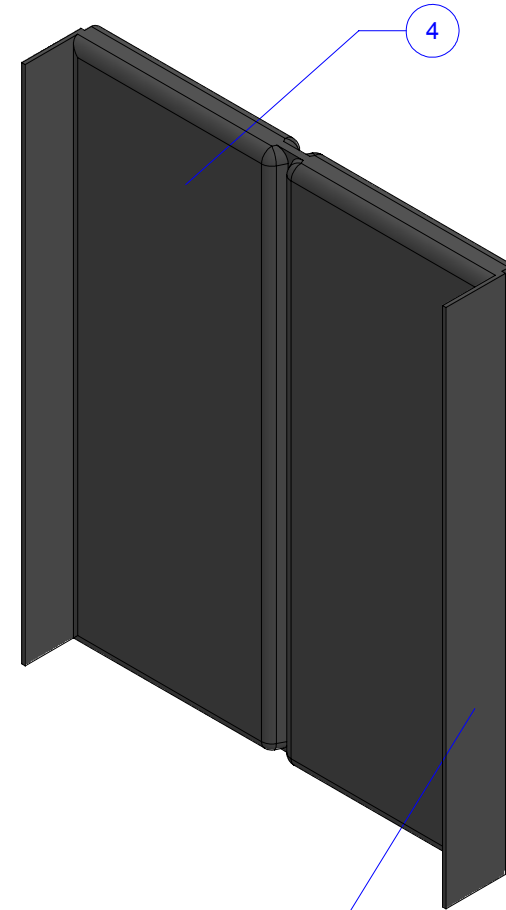
938_MEDIUM DIVIDER_HORIZONTAL FOLD 6.25" x 1.125" x 7.625"



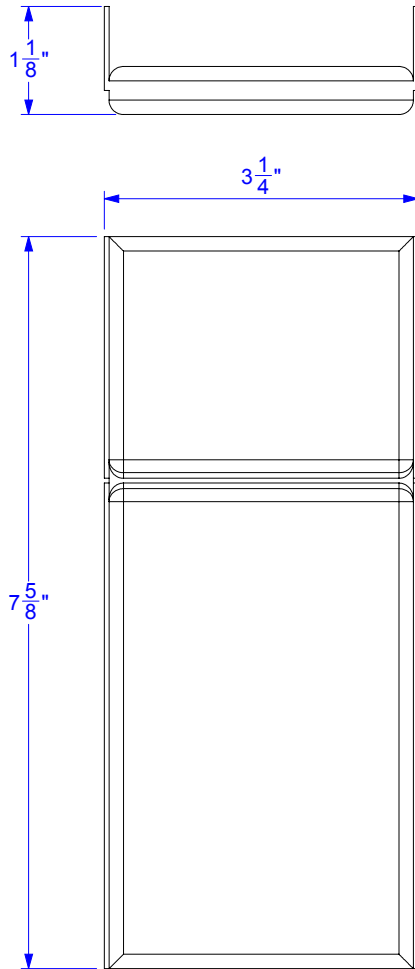
VELCRO ON ONE SIDES/
 VELCRO SUR UNE SURFACES



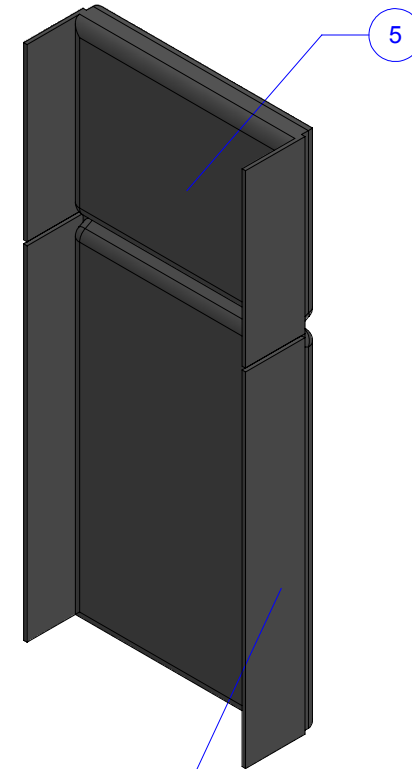
938_MEDIUM DIVIDER_VERTICAL FOLD 6.25" x 1.125" x 7.625"



VELCRO ON ONE SIDES/
 VELCRO SUR UNE SURFACES



938_SHORT DIVIDER_HORIZONTAL FOLD 3.25" x 1.125" x 7.625"



VELCRO ON ONE SIDES/
 VELCRO SUR UNE SURFACES



1059, boulevard des Entreprises Ouest
 Terrebonne, QC Canada J6Y 1V2
 Tel 450-628-1006 1.800.783.6883
 Fax 450-628-7801 1.888.783.6883
 www.plasticase.com

938 PADDE DIVIDER

PROJECT

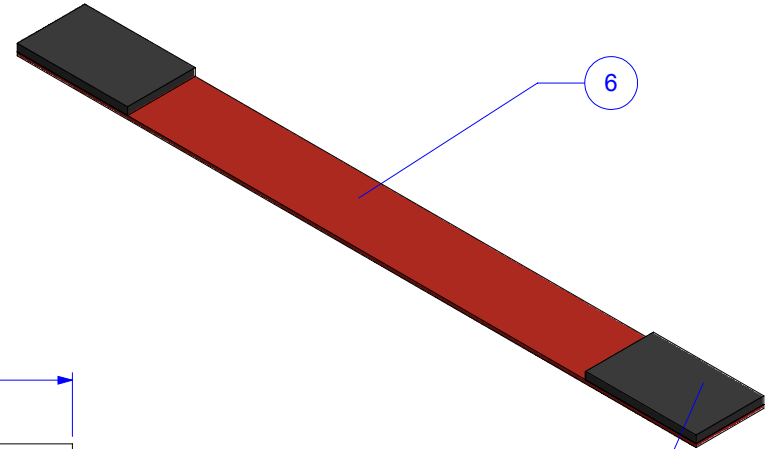
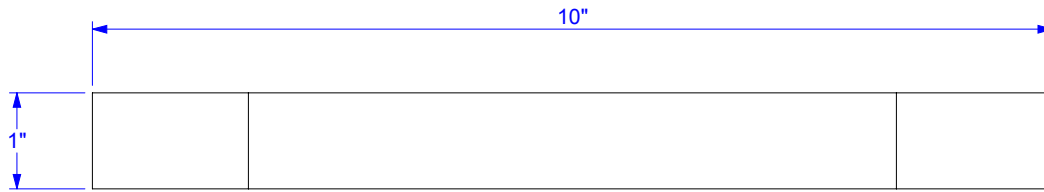
938_NANUK

PRODUCT

938_PADDED DIVIDER

DWG ID

STATUS



VELCRO AT EACH ENDS/
 VELCRO SUR CHAQUE EXTRÉMITÉS



938_STRAP 10" x 1"

PROPRIETARY AND CONFIDENTIAL

THE INFORMATION CONTAINED IN THIS DRAWING IS THE SOLE & EXCLUSIVE PROPERTY OF PLASTICASE INC.
 ANY REPRODUCTION IN PART OR WHOLE WITHOUT THE WRITTEN PERMISSION OF PLASTICASE INC. IS PROHIBITED.

DO NOT SCALE DRAWING
 SHEET SCALE 1:2

Sylvain Charria
 DESIGNER

25/09/2019
 DATE



1059, boulevard des Entreprises Ouest
 Terrebonne, QC Canada J6Y 1V2
 Tel 450-628-1006 1.800.783.6883
 Fax 450-628-7801 1.888.783.6883
 www.plasticase.com

938 PADDE DIVIDER

PROJECT

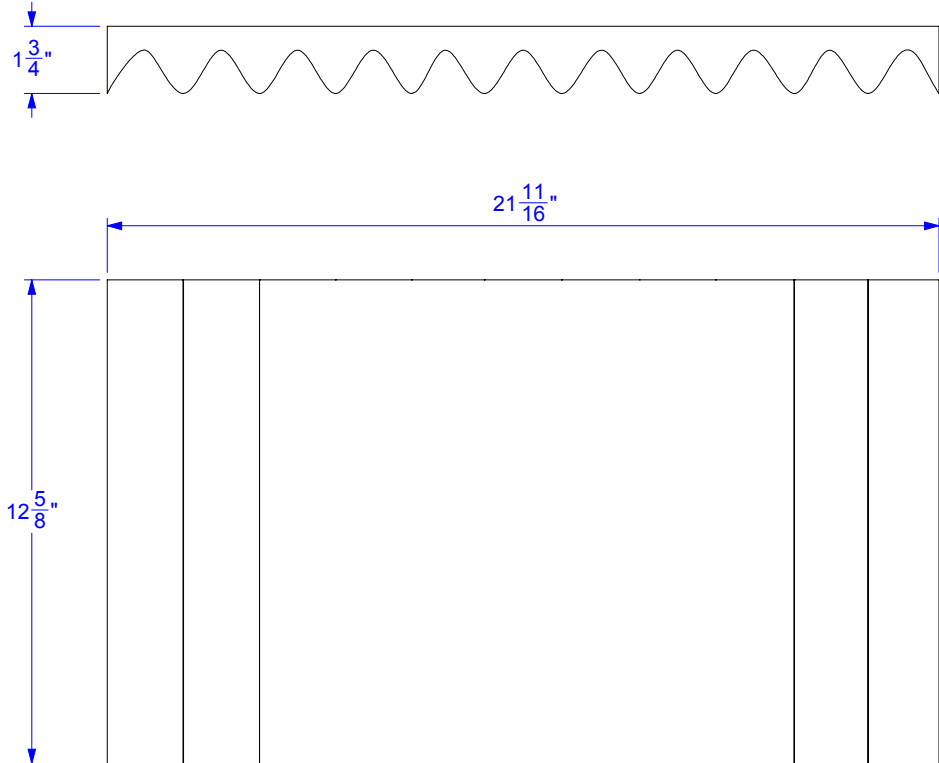
938_NANUK

PRODUCT

938_PADDED DIVIDER

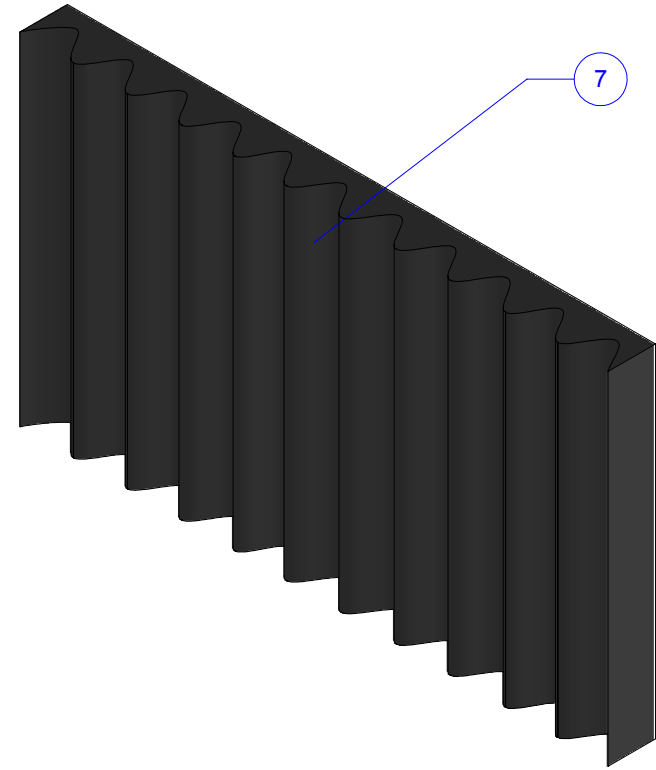
DWG ID

STATUS



938_CONVOLATED FOAM

PUF P150-55 BLK	1
MATERIAL	QTY



PROPRIETARY AND CONFIDENTIAL

THE INFORMATION CONTAINED IN THIS DRAWING IS THE SOLE & EXCLUSIVE PROPERTY OF PLASTICASE INC. ANY REPRODUCTION IN PART OR WHOLE WITHOUT THE WRITTEN PERMISSION OF PLASTICASE INC. IS PROHIBITED.

DO NOT SCALE DRAWING
 SHEET SCALE 1:5

Sylvain Charria
 DESIGNER

25/09/2019
 DATE