



1059, boulevard des Entreprises Ouest  
 Terrebonne, QC Canada J6Y 1V2  
 Tel 450-628-1006 1.800.783.6883  
 Fax 450-628-7801 1.888.783.6883  
 www.plasticase.com

935 PADDED DIVIDER

PROJECT

935\_NANUK

PRODUCT

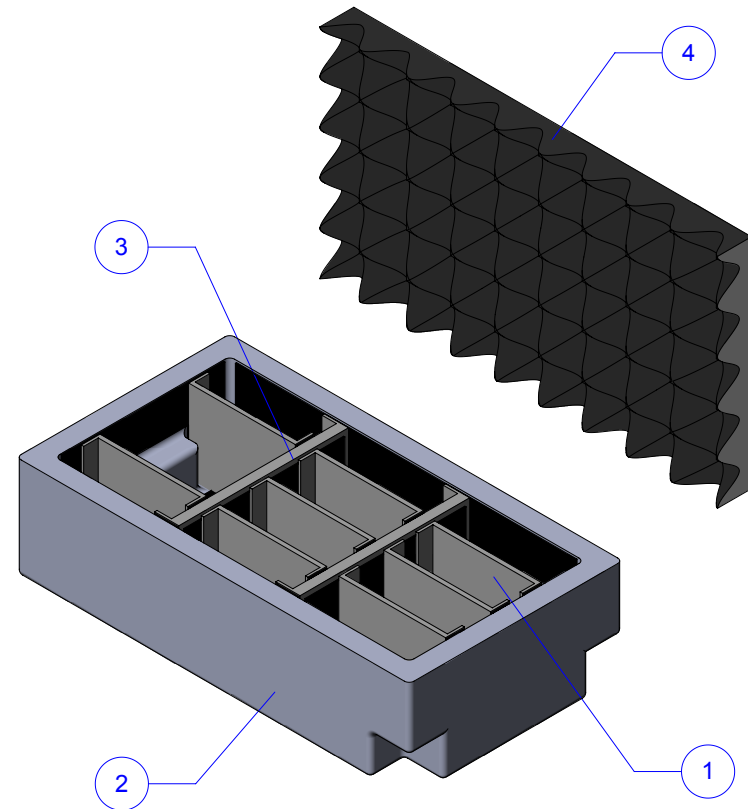
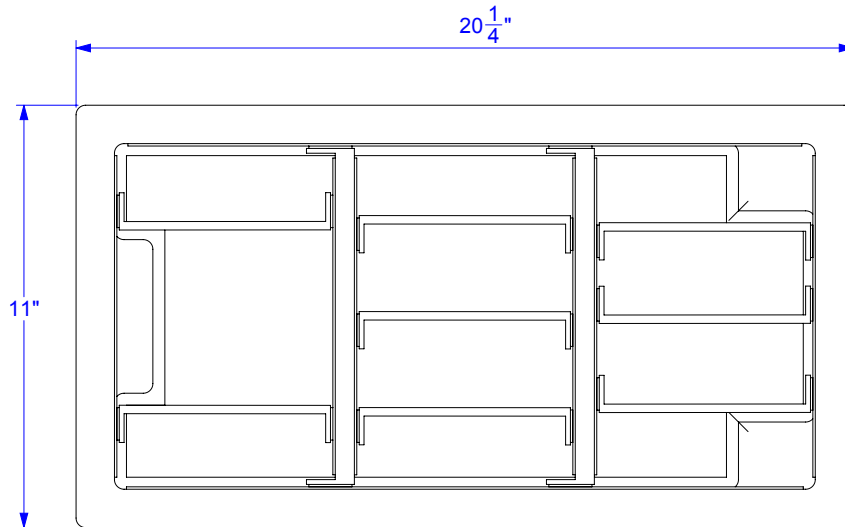
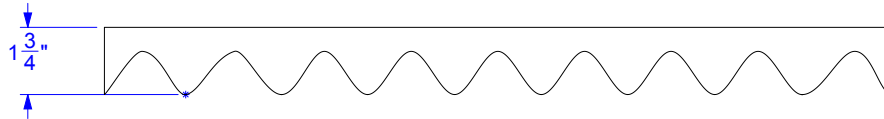
935\_PADDED\_DIVIDER\_a.00

DWG ID

STATUS

ITEM	DESCRIPTION	QTY.
1	935_PADDED DIVIDER 4.5" X .38" X 5.5"	8
2	935_PADDED DIVIDER CONTOUR	1
3	933_PADDED DIVIDER 4.5" X 0.5" X 8.8"	2
4	935_CONVOLUTED FOAM	1

CONVOLUTED FOAM



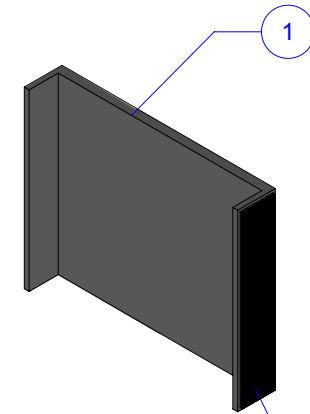
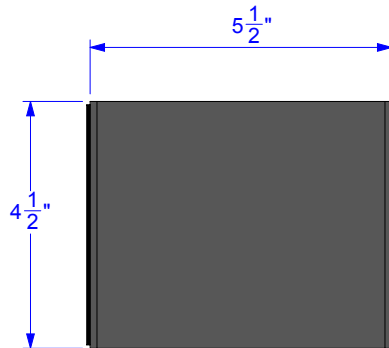
REV.	DESCRIPTION	DATE	INITIALS
REVISIONS			

**PROPRIETARY AND CONFIDENTIAL**  
 THE INFORMATION CONTAINED IN THIS DRAWING IS THE SOLE & EXCLUSIVE PROPERTY OF PLASTICASE INC.  
 ANY REPRODUCTION IN PART OR WHOLE WITHOUT THE WRITTEN PERMISSION OF PLASTICASE INC. IS PROHIBITED.

DO NOT SCALE DRAWING  
 SHEET SCALE 1:5

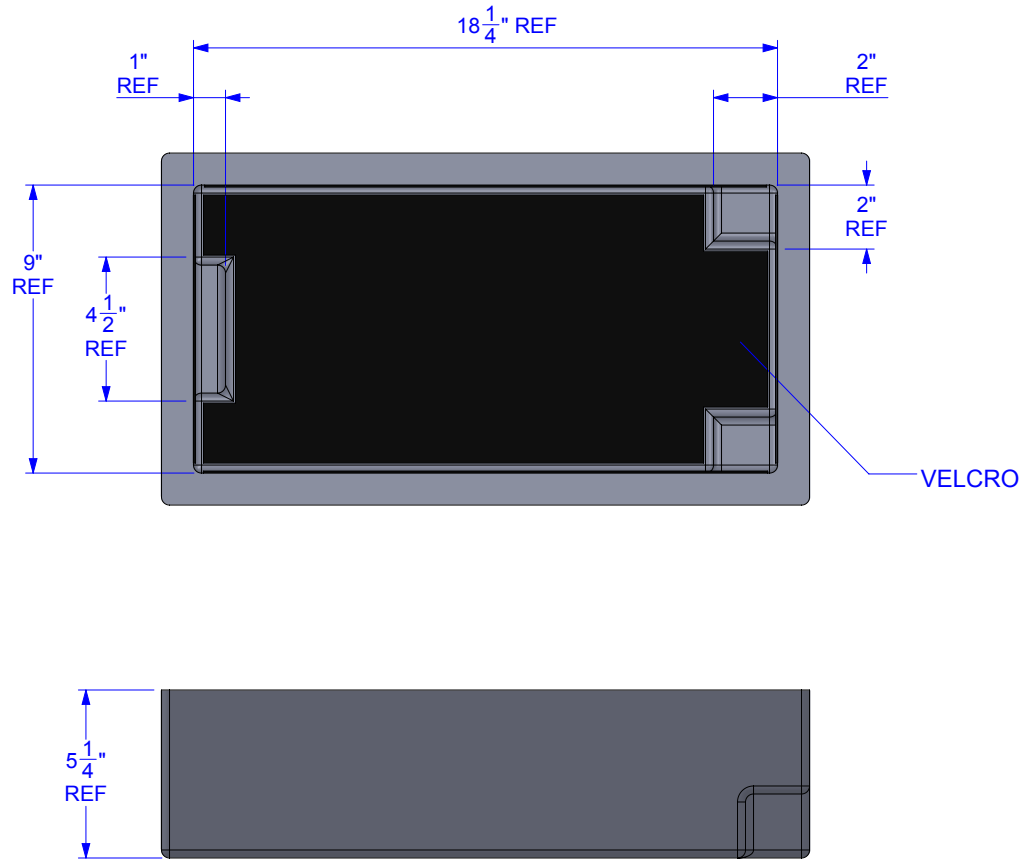
Karen Dupuis  
 DESIGNER

02/05/2017  
 DATE

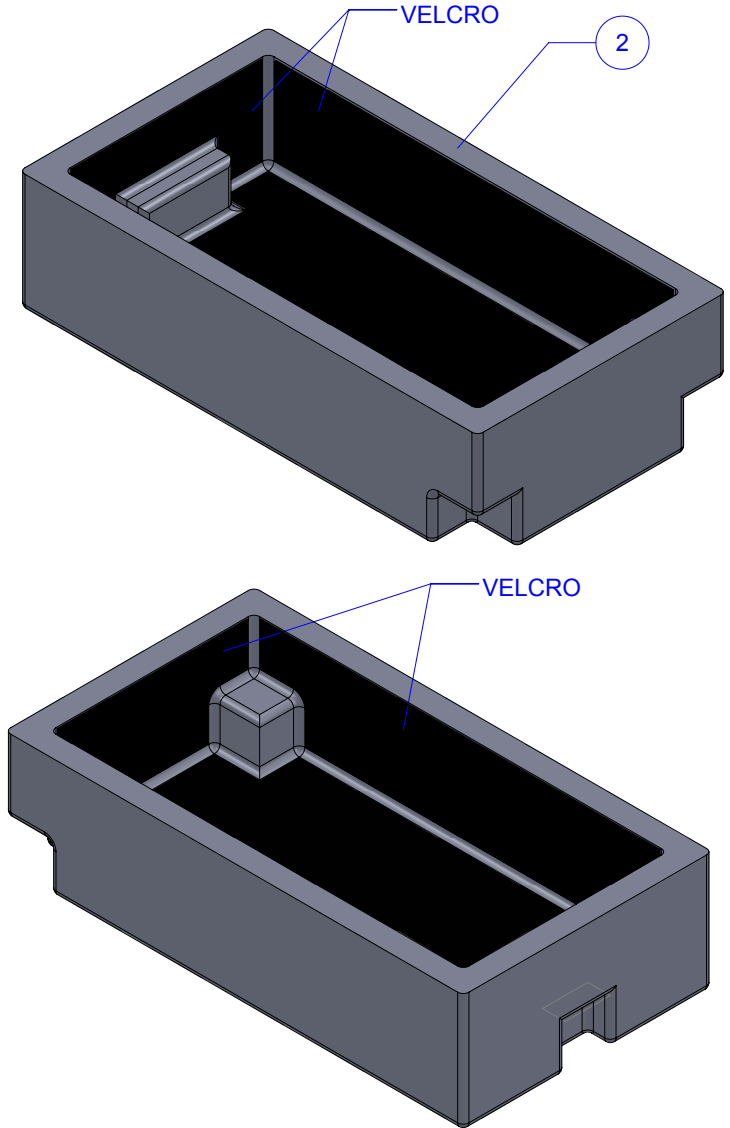


VELCRO ON BOTH ENDS /  
VELCRO SUR LES  
DEUX EXTREMITES

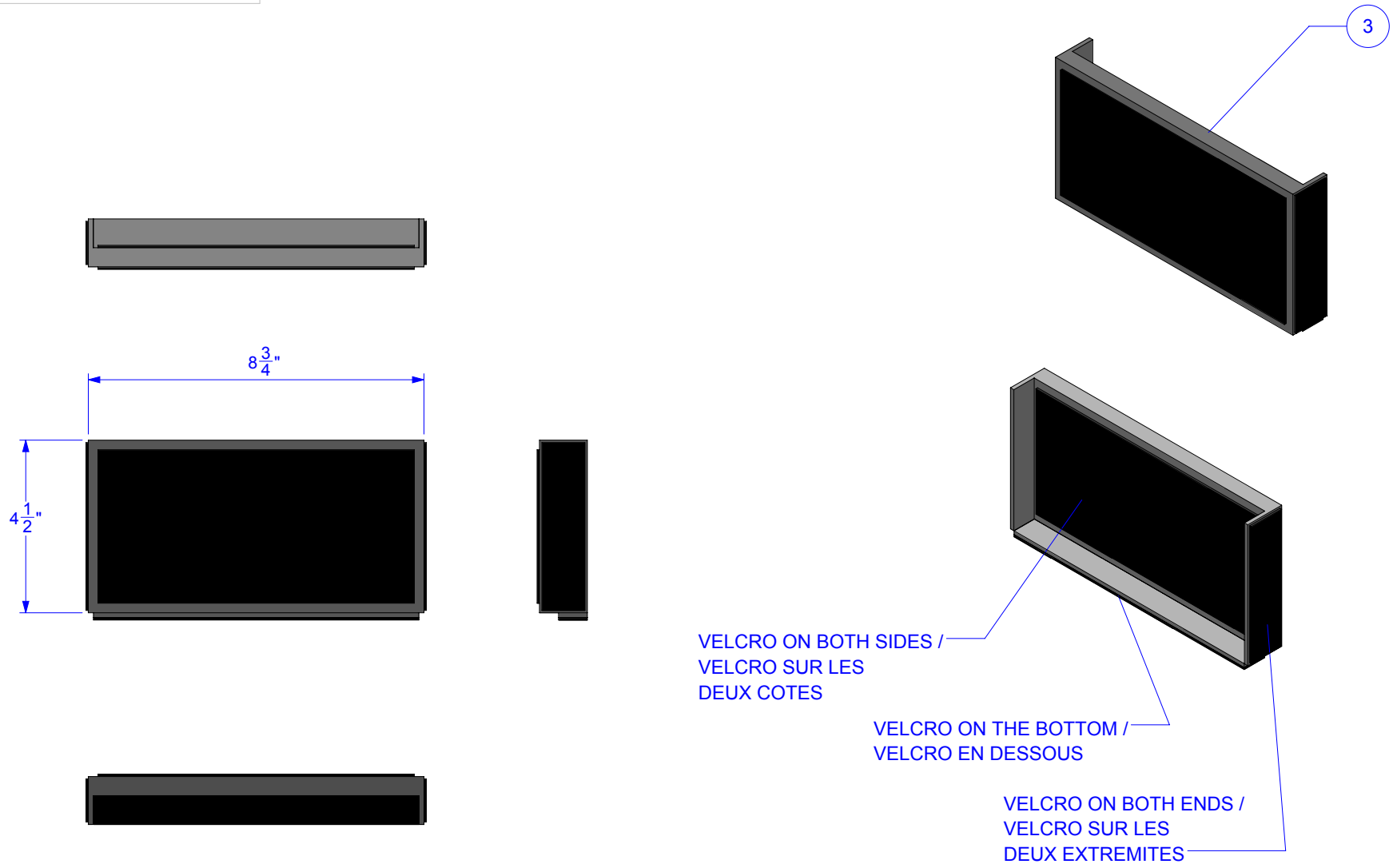
935\_PADDED DIVIDER 4.5" X .38" X 5.5"



935\_PADDED DIVIDER CONTOUR

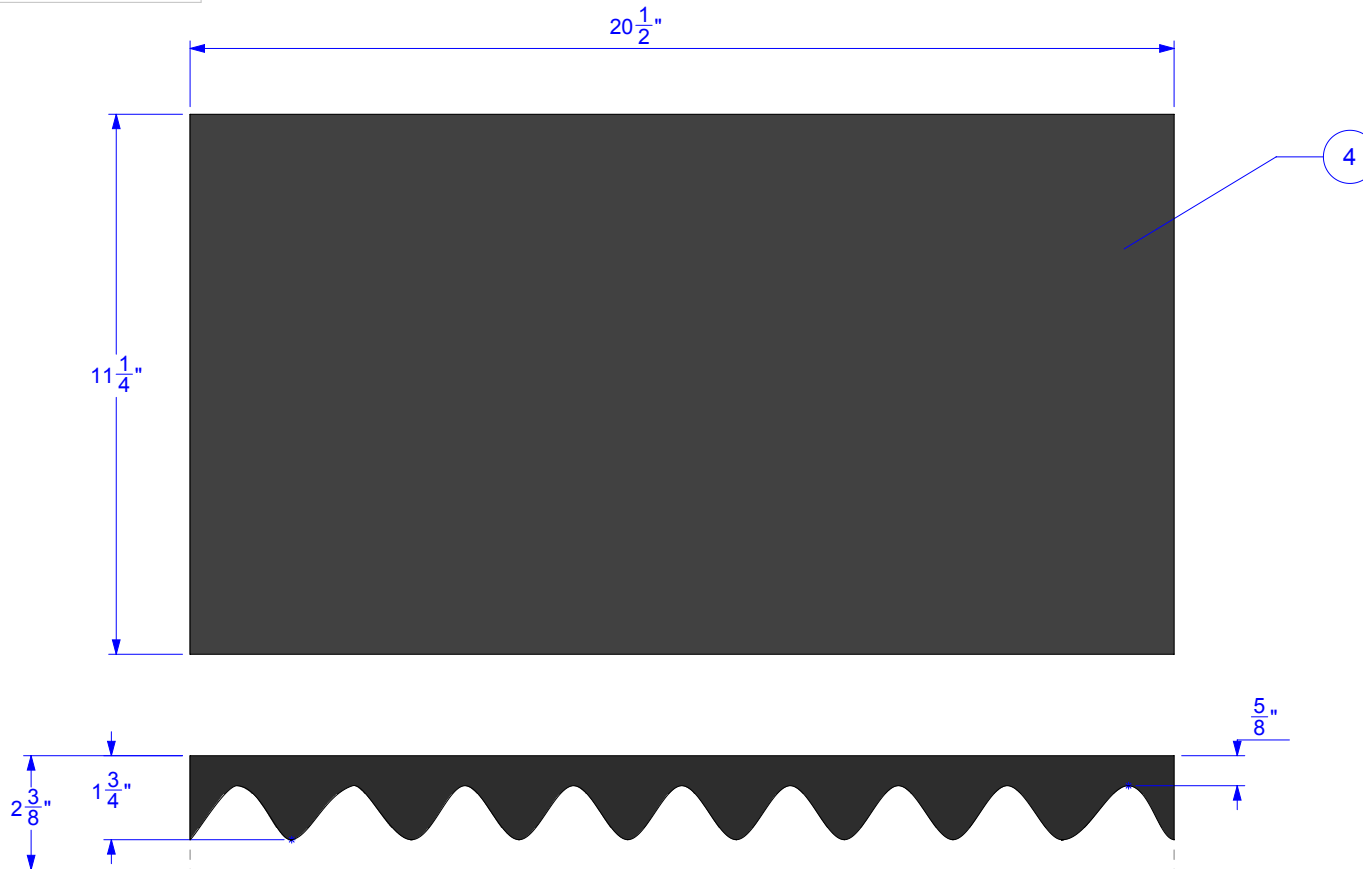


FOAM DENSITY MAY VARY  
 DIMENSIONS ARE IN INCHES UNLESS OTHERWISE SPECIFIED



935\_PADDED DIVIDER 4.5" X 0.5" X 8.8"

FOAM DENSITY MAY VARY. DIMENSIONS ARE IN INCHES UNLESS OTHERWISE SPECIFIED



935\_CONVOLUTED FOAM

PUF P150-55 BLK 2 3/8" THICK 5/8" BASE  
MATERIAL