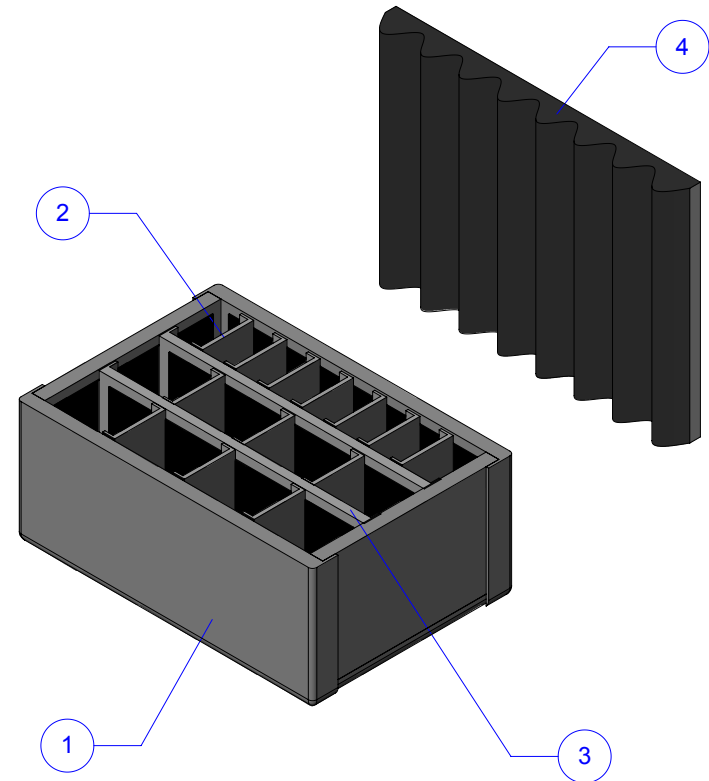
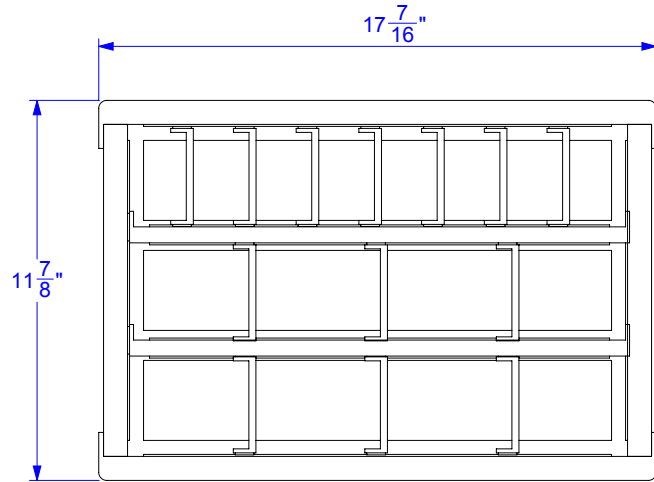
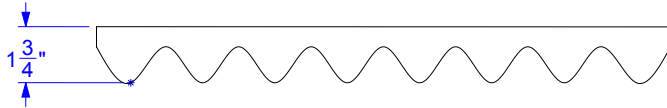
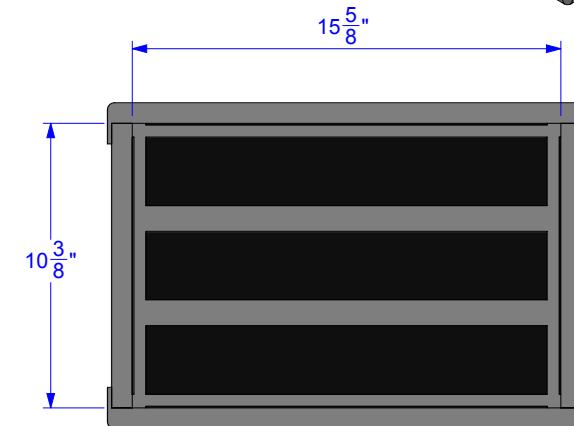
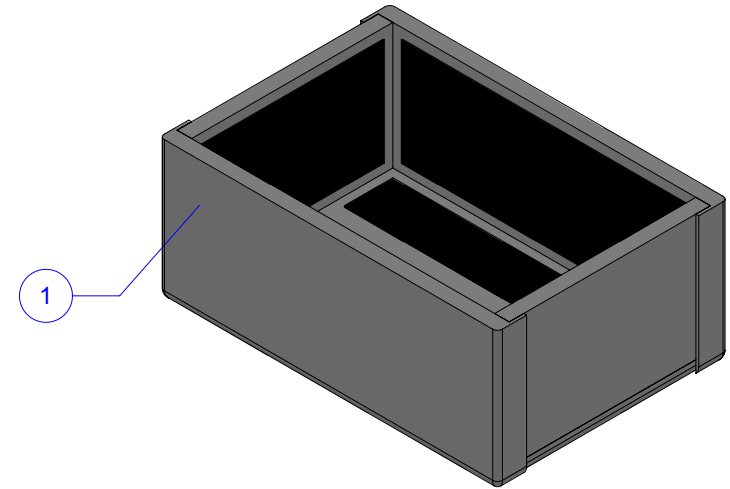
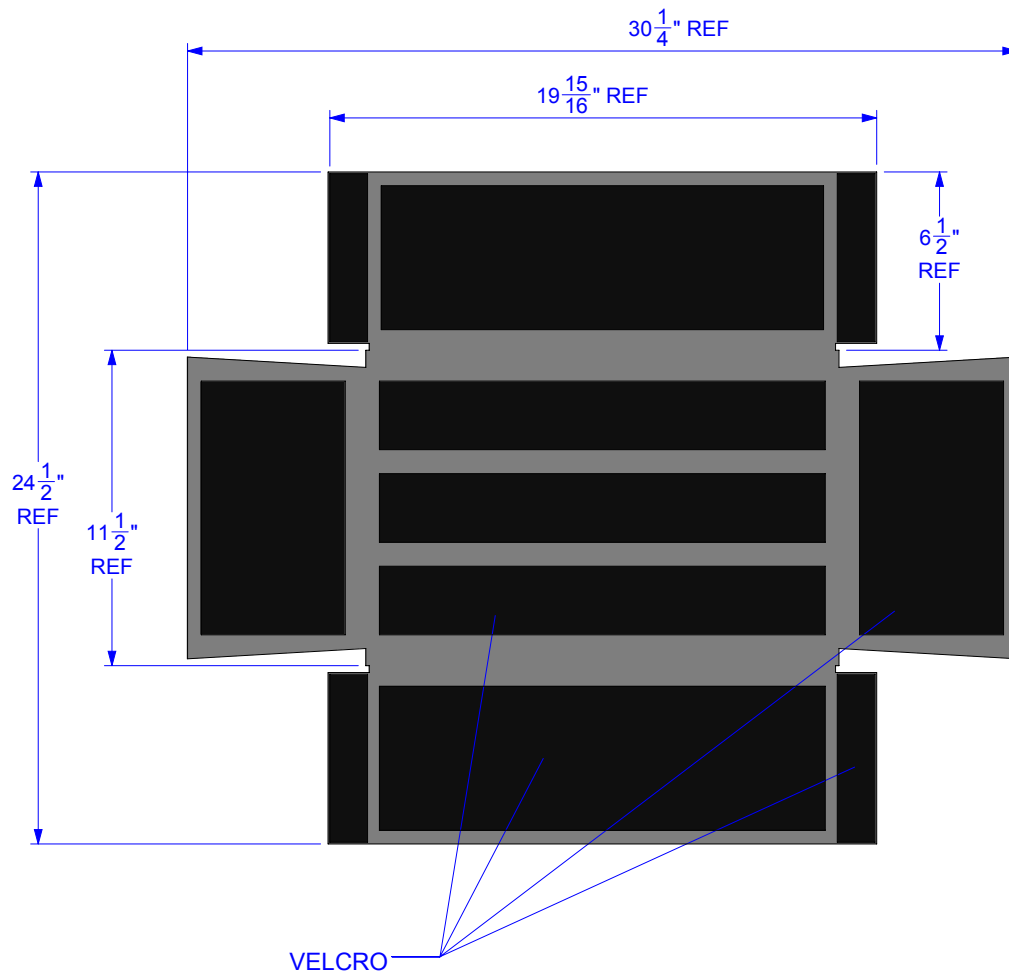


ITEM	DESCRIPTION	QTY.
1	933_PADDED DIVIDER CONTOUR	1
2	933_PADDED DIVIDER 6.8" X 0.3" X 3"	13
3	933_PADDED DIVIDER 6.8" X 0.5" X 15.2"	2
4	933_CONVOLUTED FOAM	1

CONVOLUTED FOAM

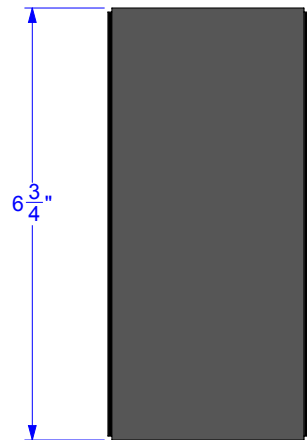
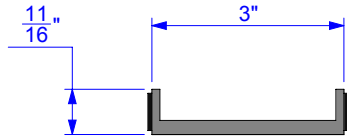


REV.	DESCRIPTION	DATE	INITIALS
REVISIONS			

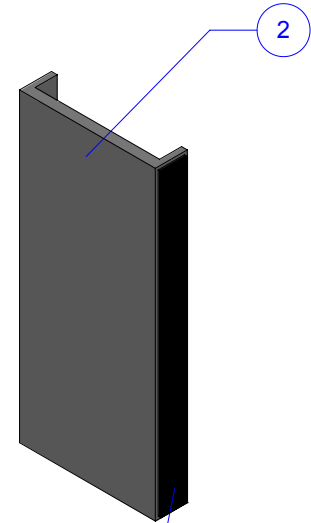


933_PADDED DIVIDER CONTOUR

FOAM DENSITY MAY VARY.
 DIMENSIONS ARE IN INCHES UNLESS OTHERWISE SPECIFIED

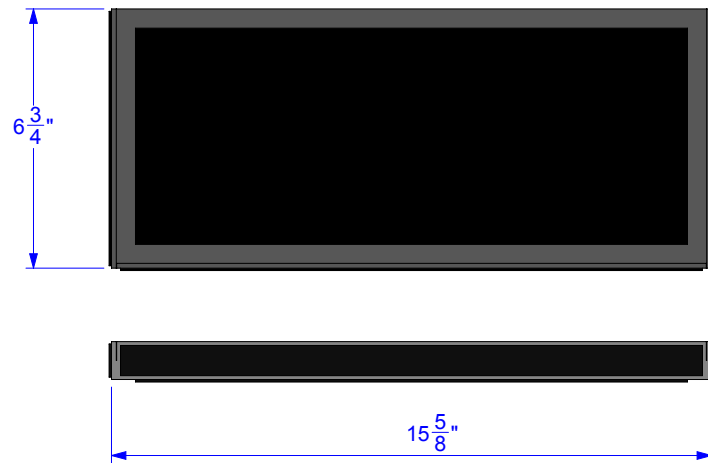


933_PADDED DIVIDER 6.8" X 0.3" X 3"

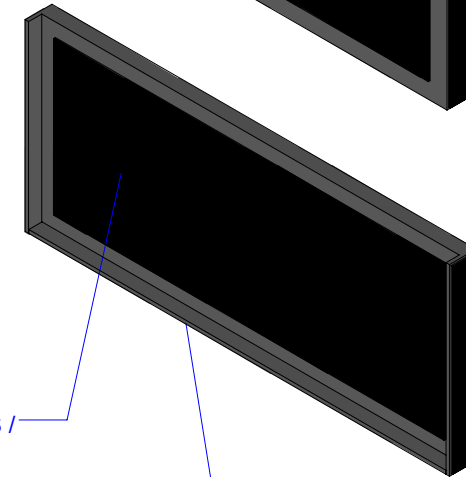
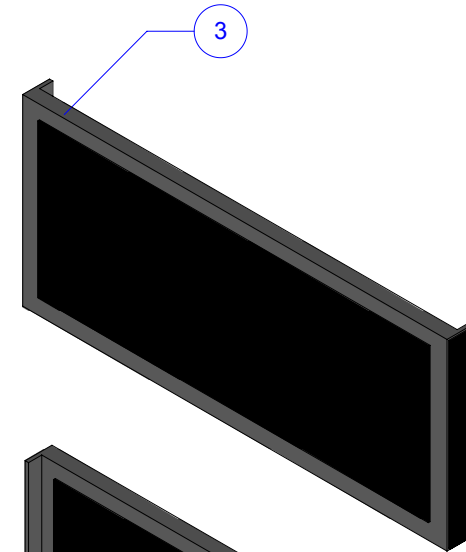


VELCRO ON BOTH ENDS /
 VELCRO SUR LES
 DEUX EXTREMITES

FOAM DENSITY MAY VARY
 DIMENSIONS ARE IN INCHES UNLESS OTHERWISE SPECIFIED



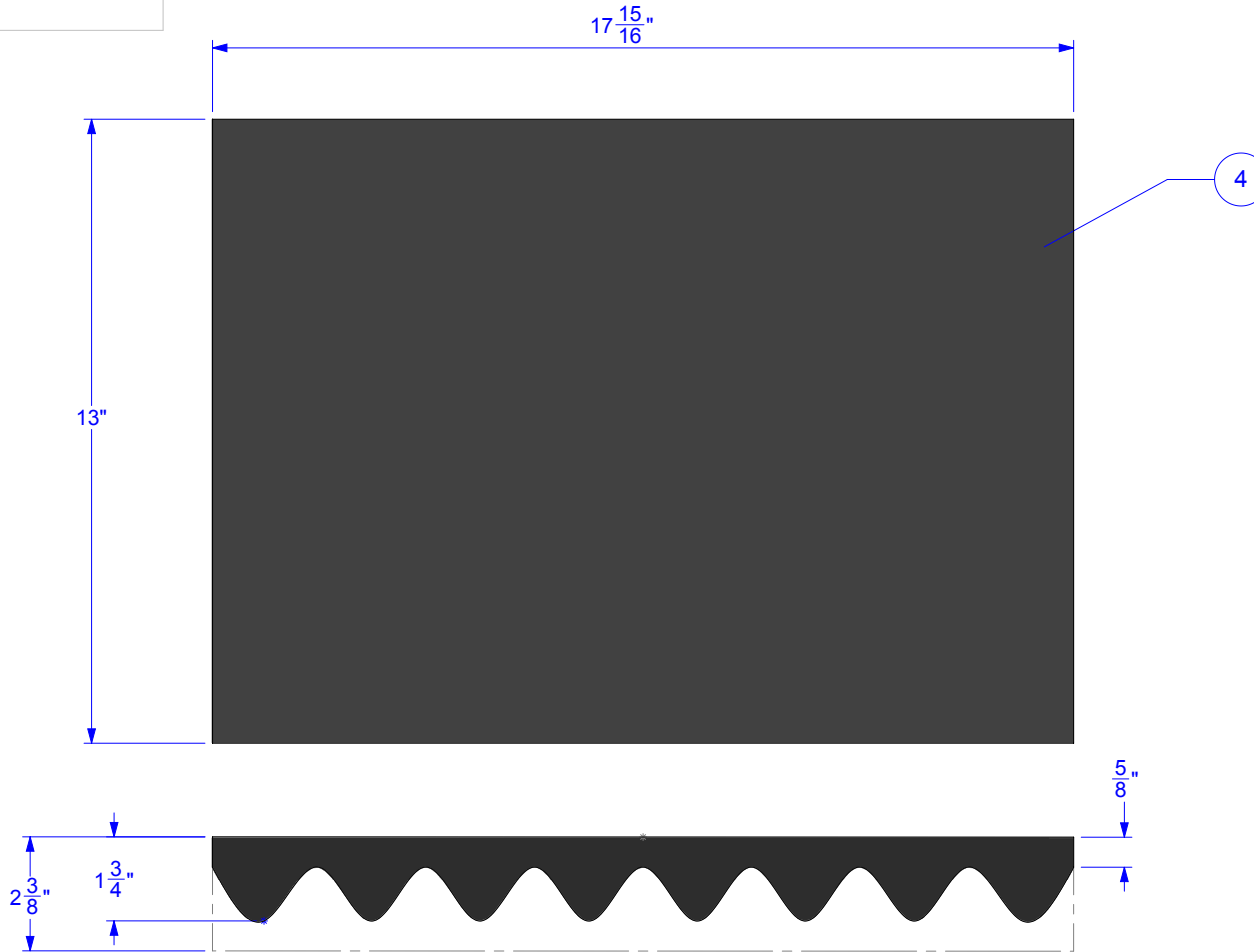
933_PADDED DIVIDER 6.8" X 0.5" X 15.2"



VELCRO ON BOTH SIDES /
 VELCRO SUR LES
 DEUX COTES

VELCRO ON THE BOTTOM /
 VELCRO EN DESSOUS

VELCRO ON BOTH ENDS /
 VELCRO SUR LES
 DEUX EXTREMITES



933_CONVOLUTED FOAM

PUF P150-55 BLK 2 3/8" THICK 5/8" BASE
MATERIAL