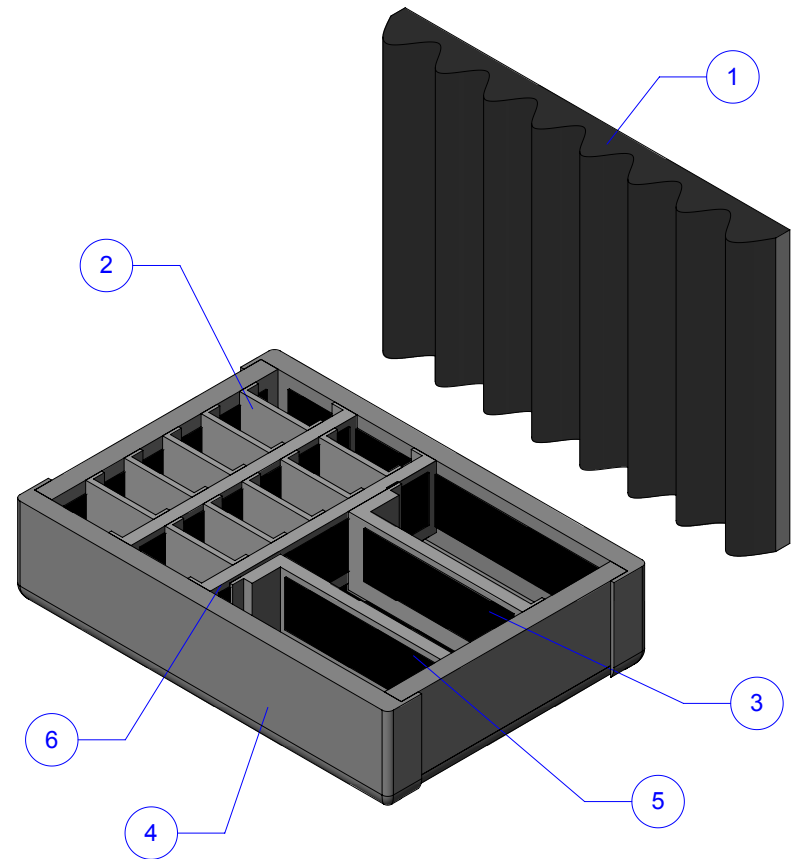
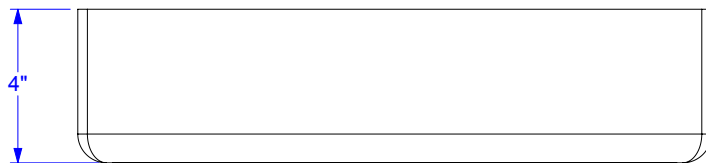
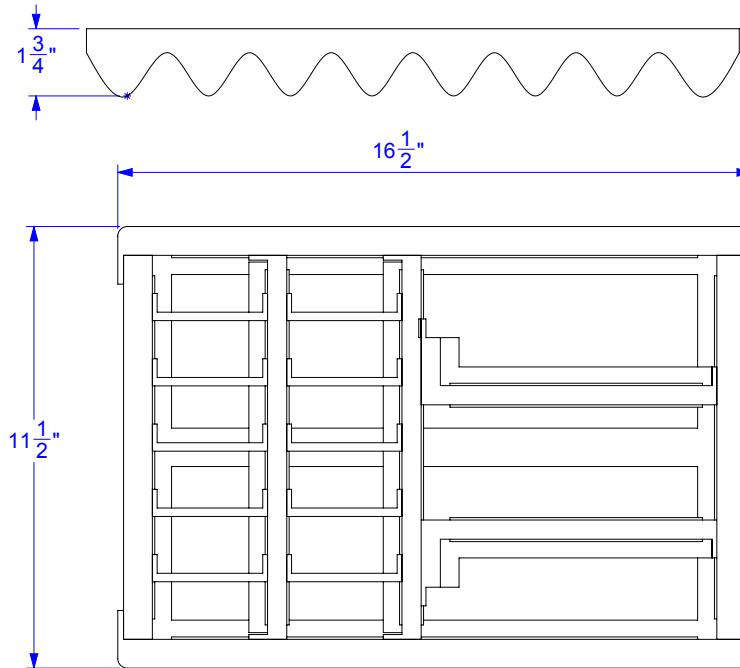
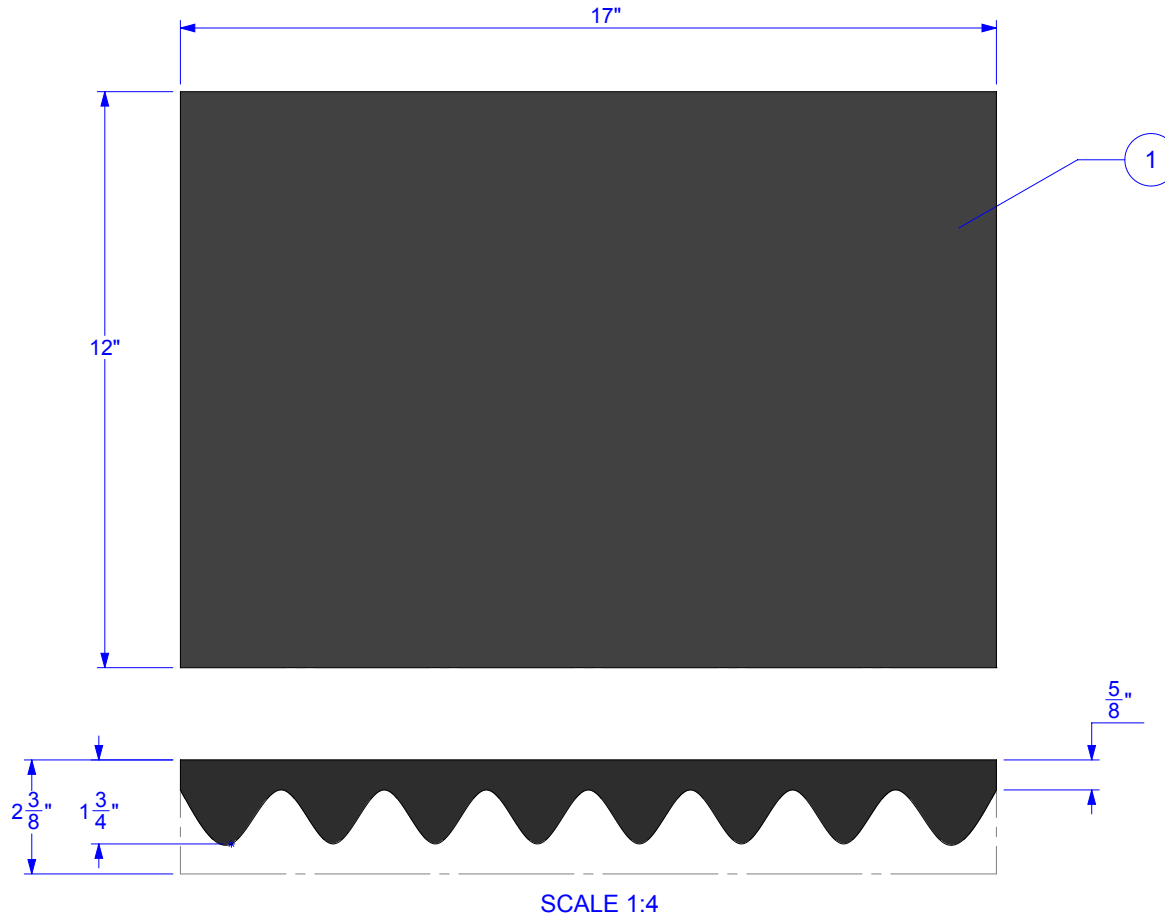


ITEM	DESCRIPTION	QTY.
1	925_CONVOLUTED FOAM	1
2	925_PADDED DIVIDER 2.8" X 0.3" X 3"	10
3	925_PADDED DIVIDER 3" X 0.5" X 7.8" DR	1
4	925_PADDED DIVIDER CONTOUR	1
5	925_PADDED DIVIDER 3" X 0.5" X 7.8" GA	1
6	925_PADDED DIVIDER 3" X 0.5" X 10"	2

CONVOLUTED FOAM



REV.	DESCRIPTION	DATE	INITIALS
REVISIONS			



PUF P150-55 BLK 2 3/8" THICK 5/8" BASE MATERIAL		
-	58"	1
LINEAR IN	DETAIL	QTY



1059, boulevard des Entreprises Ouest  
 Terrebonne, QC Canada J6Y 1V2  
 Tel 450-628-1006 1.800.783.6883  
 Fax 450-628-7801 1.888.783.6883  
 www.plasticase.com

925\_PADDED DIVIDER

PROJECT

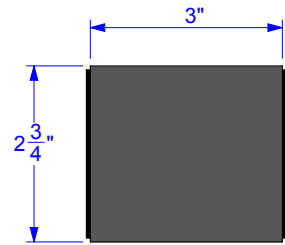
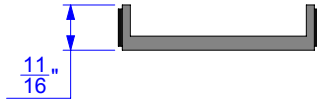
925\_NANUK

PRODUCT

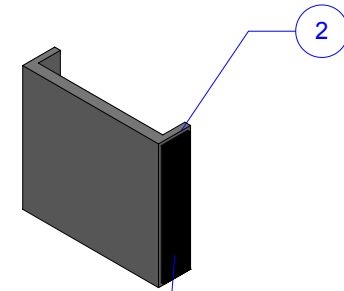
925\_PADDED\_DIVIDER\_a.00

DWG ID

STATUS

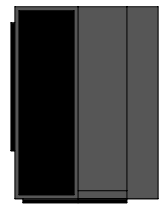
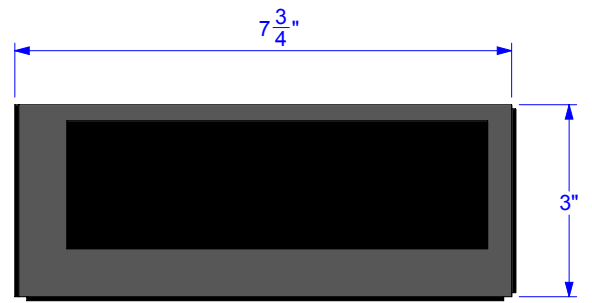


925\_PADDED DIVIDER 2.8" X 0.3" X 3"

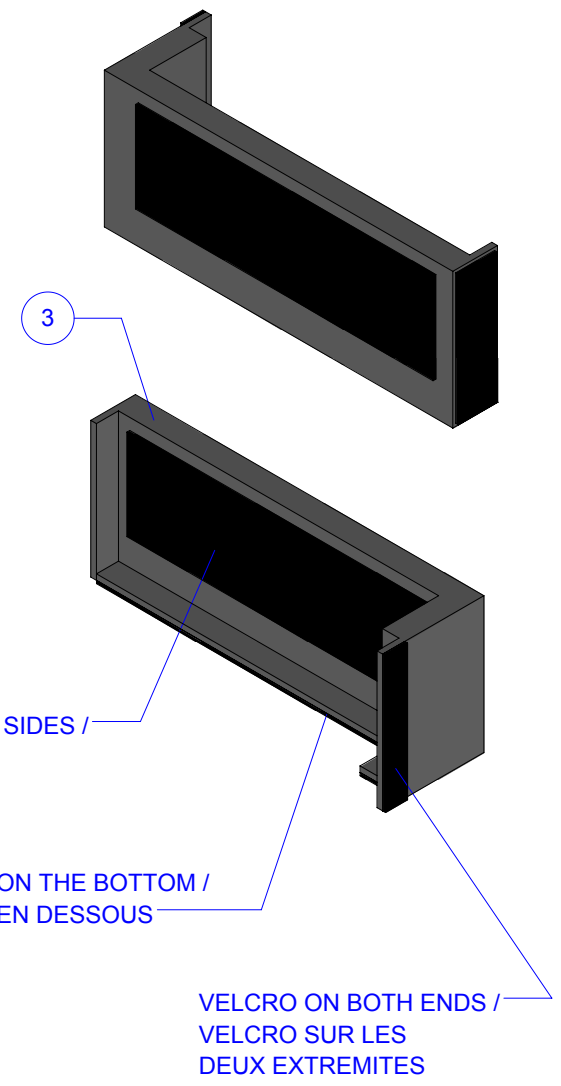


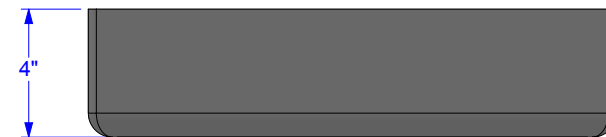
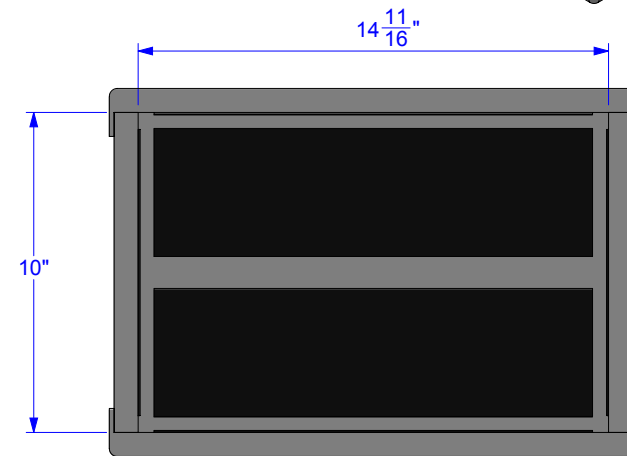
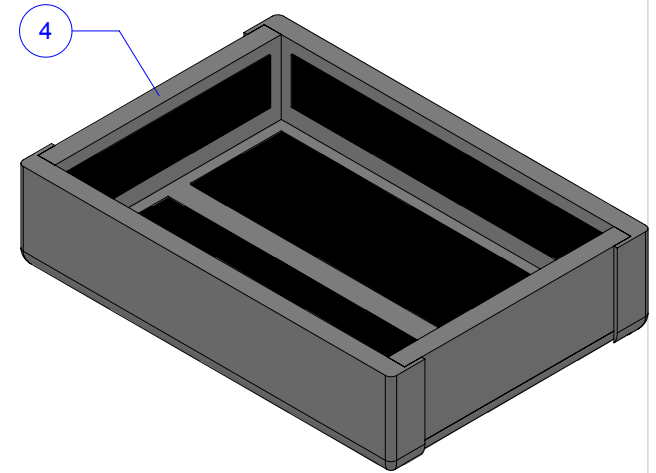
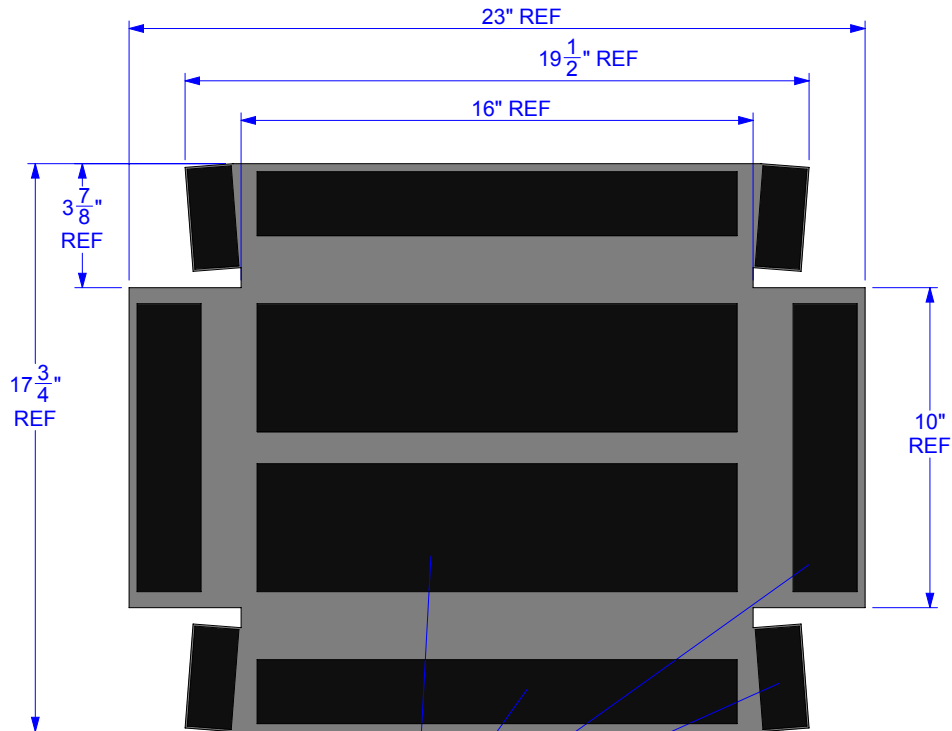
VELCRO ON BOTH ENDS /  
 VELCRO SUR LES  
 DEUX EXTREMITES

FOAM DENSITY MAY VARY.  
 DIMENSIONS ARE IN INCHES UNLESS OTHERWISE SPECIFIED



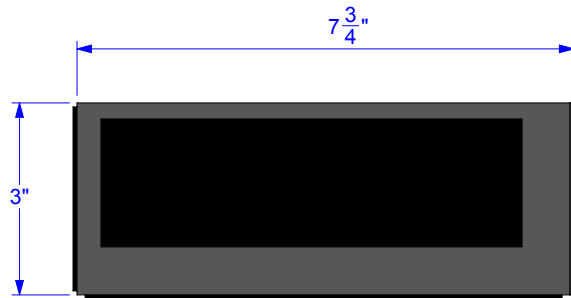
925\_PADDED DIVIDER 3" X 0.5" X 7.8" DR



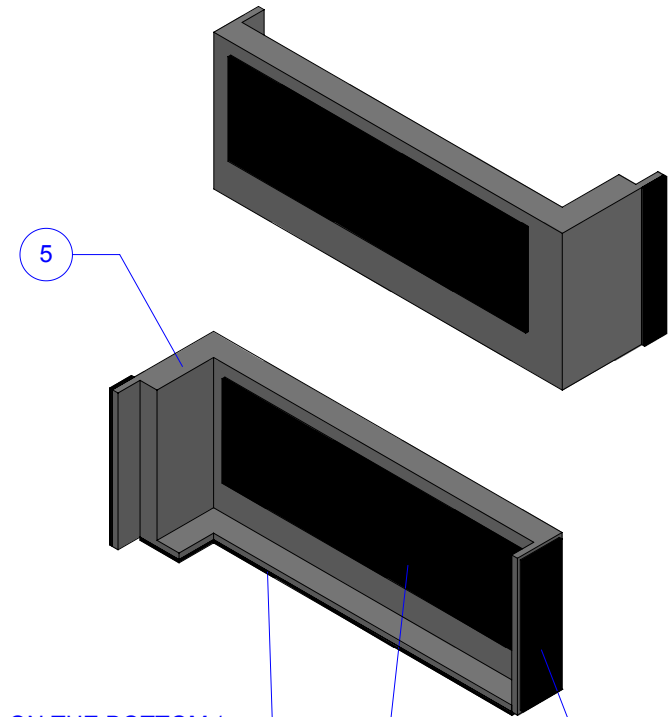


925\_PADDED DIVIDER CONTOUR

FOAM DENSITY MAY VARY  
 DIMENSIONS ARE IN INCHES UNLESS OTHERWISE SPECIFIED



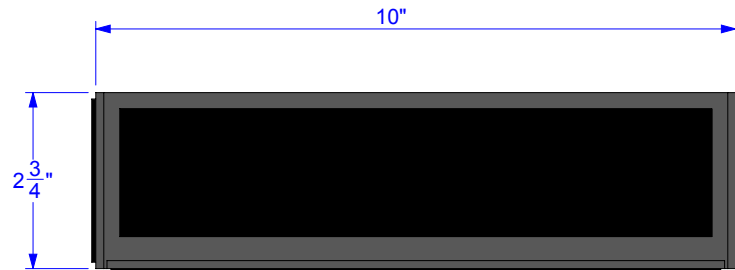
925\_PADDED DIVIDER 3" X 0.5" X 7.8" GA



VELCRO ON THE BOTTOM /  
 VELCRO EN DESSOUS

VELCRO ON BOTH SIDES /  
 VELCRO SUR LES  
 DEUX COTES

VELCRO ON BOTH ENDS /  
 VELCRO SUR LES  
 DEUX EXTREMITES



925\_PADDED DIVIDER 3" X 0.5" X 10"

